

EQUIP. TYPE *R396A/URR* EXP. NO.

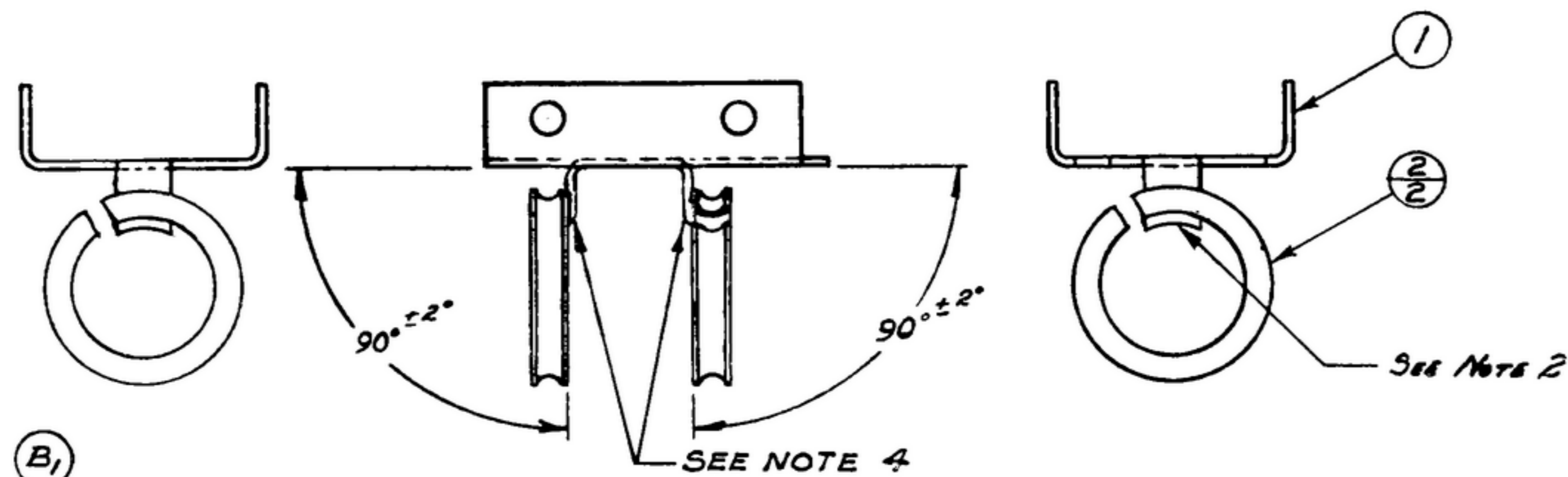
*COL. 540 7884 003*

NOTICE: WHEN GOVERNMENT DRAWINGS, SPECIFICATIONS, OR OTHER DATA ARE USED FOR ANY PURPOSE OTHER THAN IN CONNECTION WITH A DEFINITELY RELATED GOVERNMENT PROCUREMENT OPERATION, THE UNITED STATES GOVERNMENT TAKES NO RESPONSIBILITY FOR ANY SOLUTIONS WHATSOEVER, AND THE FACT THAT THE GOVERNMENT HAS FORMULATED, FURNISHED, OR IN ANY WAY SUPPLIED THE SAID DRAWINGS, SPECIFICATIONS, OR OTHER DATA IS NOT TO BE REGARDED BY INVENTOR OR OTHERWISE AS IN ANY MANNER LICENSING THE HOLDER OR ANY OTHER PERSON, OR CONSTITUTION, OR CONFERRING ANY RIGHTS OR PERMISSION TO MANUFACTURE, USE, OR SELL ANY PATENTED INVENTION THAT MAY IN ANY WAY BE RELATED THERETO.

THIS DOCUMENT HAS BEEN FURNISHED BY THE GOVERNMENT AND MAY BE REPRODUCED AND USED IN CONNECTION WITH ANY GOVERNMENT PROCUREMENT OR BUYING OPERATION.

\* FOR INFORMATION ONLY. CONTRACTOR MAY AT HIS OPTION DEVIATE FROM THESE PROCESS DETAILS.

*SWE APPROVAL		REVISIONS			
SYM	PR10042-17	SYM	DESCRIPTION	DATE	APPROVAL
		A <sub>1</sub>	A <sub>1</sub> - ADDED NOTE 4 & ITEM 3.	16 DEC. 59	42428-PC-59 REV'D. PME
		B <sub>1</sub>	B <sub>1</sub> - FINISH WAS M 225	20 APRIL 60	42428-PC-59 REV'D. PME



FINISH: M 262 PER SPEC. MIL-F-14072.

NOTES

1. SOFT SOLDER LINKS (2), TO SHIELD (1), PER SPEC MIL-S-6872 ROSIN CORE SOLDER PER SPEC QQ-S-571, COMP 3160, AS SHOWN.
2. LINKS (2) ARE TO BE CENTERED ON SHIELD (1) AS SHOWN
3. IN ALL SPLIT BALLOONS, TOP FIGURE IS MATERIAL LIST ITEM INDICATOR & BOTTOM FIGURE IS QUANTITY.

4. OUTER SURFACE OF LINKS WITH THE 1/16 FORMED RADIUS TO BE SEATED ON THE INSIDE RADIUS OF BRACKETS.

PART NO.	ITEM	REQ'D	PART NO.	DESCRIPTION	MATL.	MATL SPEC
<del>10S130317-7</del>	3	AS REQ'D		SOLDER, SOFT		QQ-S-571 1
	2		SM-B-249056	LINK		
	1		SM-B-249052	SHIELD-ANT, COIL		

LIST OF MATERIAL

COLLINS PART NO. 558 0429003

COLLINS NO.	QTY	NEXT ASSY	USED ON
558 0435 003	1	SM-C-24908A	
558 0434 003	1	SM-C-24908B	
558 0433 003	1	SM-C-24908C	
558 0432 003	1	SM-C-24908D	
558 0431 003	1	SM-C-24908E	
558 0430 003	1	SM-C-24907A	SG-DL-248775

UNLESS OTHERWISE SPECIFIED:  
 DECIMAL DIMENSIONS INCLUDING HOLE SIZES MAY VARY ±.005  
 FRACTIONAL DIMENSIONS INCLUDING HOLE SIZES MAY VARY ±1/64  
 MACHINED ANGLES MAY VARY ±1°  
 SHEARED ANGLES MAY VARY ±.25°  
 BROKEN ANGLES MAY VARY ±1°  
 ECCENTRICITY BETWEEN ANY DIAMETERS ON THE SAME CENTERLINE SHALL NOT EXCEED .010 TOTAL INDICATOR READING.  
 ALL DIMENSIONS ARE FINISH DIMENSIONS INCLUDING APPLIED FINISH AND ARE GIVEN IN INCHES.

COLLINS-RADIO CO.  
 14214-PH-51-93  
 SIGNAL CORPS  
 REVIEWED PME  
 APPROVED HLY  
 DATE 29 Dec 55 SCALE 2/1

LINK Assy

DEPARTMENT OF THE ARMY  
 SIGNAL CORPS ENGINEERING  
 LABORATORIES

FORT MONMOUTH NEW JERSEY

SM-C-249078