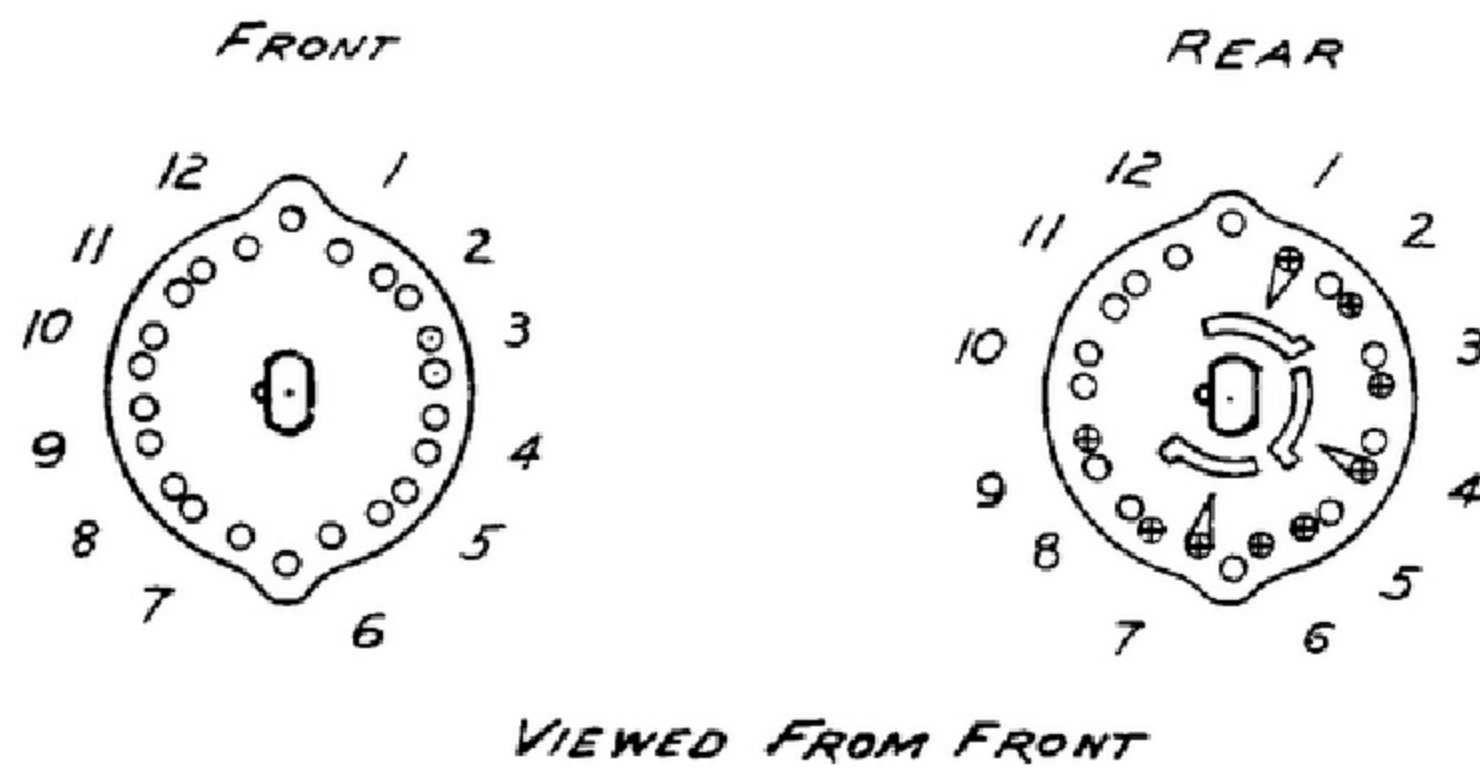
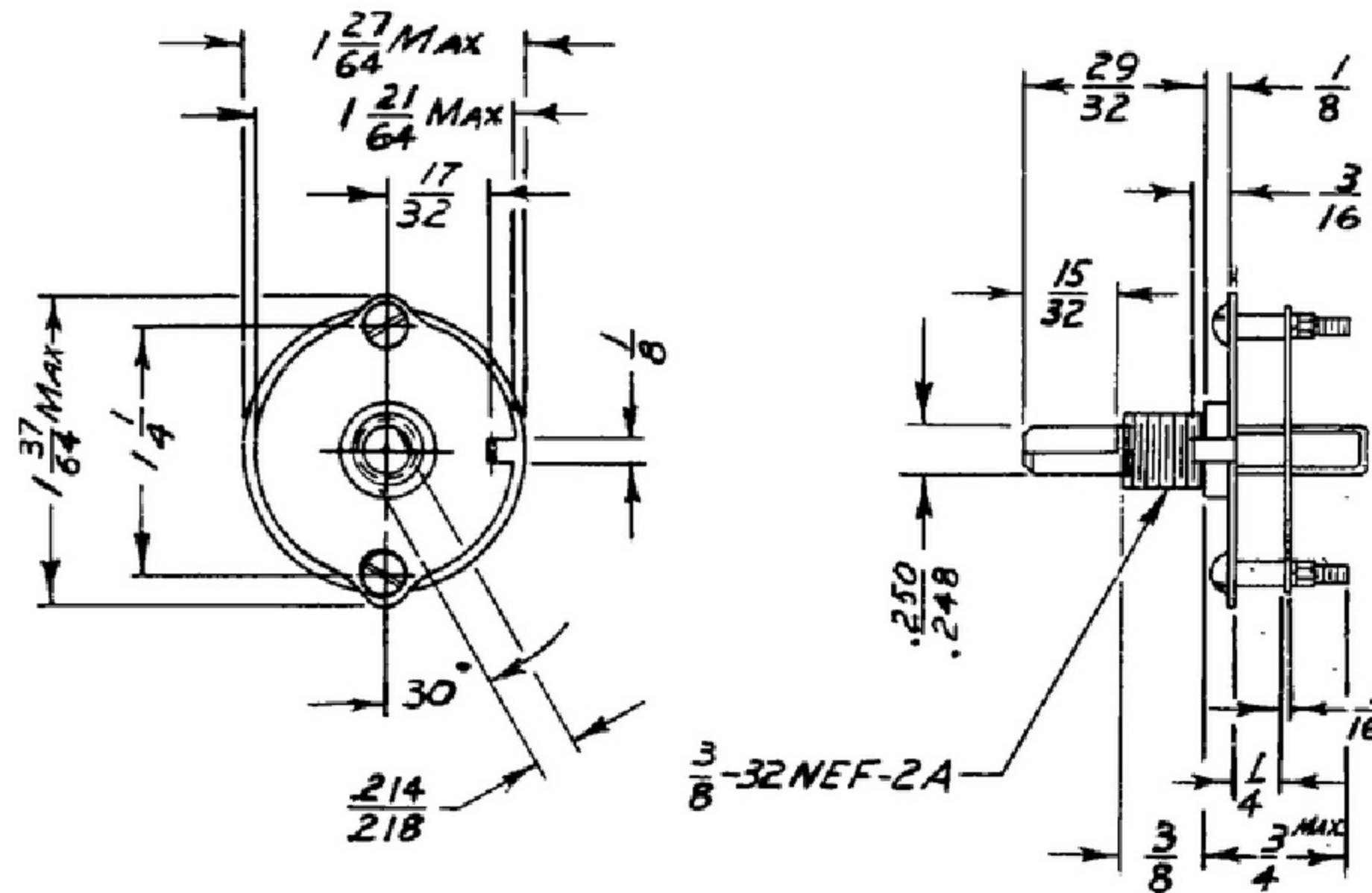


NOTICE: WHEN GOVERNMENT DRAWINGS, SPECIFICATIONS, OR OTHER DATA ARE USED FOR ANY PURPOSE OTHER THAN IN CONNECTION WITH A DEFINITELY RELATED GOVERNMENT PROCUREMENT OPERATION, THE UNITED STATES GOVERNMENT THEREBY INCURS NO RESPONSIBILITY NOR ANY OBLIGATION WHATSOEVER, AND THE FACT THAT THE GOVERNMENT MAY HAVE FORMULATED, FURNISHED, OR IN ANY WAY SUPPLIED THE SAID DRAWINGS, SPECIFICATIONS, OR OTHER DATA IS NOT TO BE REGARDED BY IMPLICATION OR OTHERWISE AS IN ANY MANNER LICENSING THE HOLDER OR ANY OTHER PERSON OR CORPORATION, OR CONVEYING ANY RIGHTS OR PERMISSION TO MANUFACTURE, USE, OR SELL ANY PATENTED INVENTION THAT MAY IN ANY WAY BE RELATED THERETO.

THIS DOCUMENT HAS BEEN PURCHASED BY THE GOVERNMENT AND MAY BE REPRODUCED AND USED IN CONNECTION WITH ANY GOVERNMENT PROCUREMENT OR MAINTENANCE OPERATION.

*FOR INFORMATION ONLY. CONTRACTOR MAY AT HIS OPTION DEVIATE FROM THESE PROCESS DETAILS.

SWE APPROVAL		REVISIONS			
SYM	PR10042-7	SYM	DESCRIPTION	DATE	APPROVAL
		A.	A. ADDED TO INSULATION NOTE "SWITCH SHALL BE IN ACCORDANCE WITH MIL-S-3786 EXCEPT AS NOTED"	19 OCT 59	42428-PC 59-A1-51 REV'D PME
B.	CA 84781	B.	B. DELETED TOTAL ANGLE OF ROTATION 60°	17 MAY 60	42428-PC 59 REV'D PME



KEY TO SYMBOL

- ⊕ SHORT CLIP
- ⊕ LONG CLIP
- NO CLIP

NOTES:

1. PART MAY BE NO. 8540-4 ULR-1, AS SUPPLIED BY GRIGSBY-ALLISON, ARLINGTON HEIGHTS, ILL., OR EQUAL, PROVIDING IT MEETS THE FOLLOWING REQUIREMENTS AND DIMENSIONS SHOWN.

DESCRIPTION: 3 CIRCUIT (3 POLE) 2 POSITION, 1 SECTION ROTARY WAFER SWITCH WITH 30° DETENT AND STOPS LIMITING ROTATION TO 2 POSITIONS

INSULATION: PANELYTE 784, AS SUPPLIED BY ST. REGIS PAPER CO., PANELYTE DIV., RICHMOND, IND., OR EQUAL. SWITCH SHALL BE IN ACCORDANCE WITH MIL-S-3786 EXCEPT AS NOTED

CLIPS: SPRING SILVER ALLOY, BENT 60° - 75°

ROTOR BLADES: NON-SHORTING TYPE, COIN SILVER ALLOY.

AMBIENT TEMPERATURE RANGE: -40° TO 85°.

METAL PARTS MUST WITHSTAND 100 HOUR SALT SPRAY IN ACCORDANCE WITH FEDERAL SPECIFICATION QQ-M-151.

*SAMPLE MUST BE SUBMITTED TO CONTRACTOR'S ENGINEERING DEPARTMENT FOR APPROVAL BEFORE SHIPMENT OF PRODUCTION UNITS.

*PRODUCTION TESTING SHALL CONSIST OF THE FOLLOWING: VISUAL INSPECTION; INDEXING AND FUNCTION.

SWITCH SIZE: STANDARD

TOTAL NUMBER OF SHIELDS: 0.

TYPE OF STOP: NON-ADJUSTABLE.

SHAFT AND BUSHING: NON-SEALED.

TYPE OF SHAFT: SINGLE FLATTED.

CONTACT STABILITY (VIBRATION) TEST: NOT REQUIRED.

MECHANICAL SHOCK TEST: NOT REQUIRED.

CONTACT STABILITY (SHOCK) TEST: NOT REQUIRED.

SWITCH SHOWN IN EXTREME COUNTER-CLOCKWISE POSITION.

*WHEN PART NO APPEARS AS 559 0162 9-2 MILITARY SOURCE INSPECTION IS REQUIRED.

COLLINS PART NO.	ITEM	QTY	PART NO.	DESCRIPTION	MATL.	MATL. SPEC.
LIST OF MATERIAL						
COLLINS PART NO. 559 0162 005						

DRAWN ECS				CHECKED DL		APPROVED		-COLLINS-RADIO CO. -DESAR-SANIS-IOWA 14214-PH-51-93		DEPARTMENT OF THE ARMY SIGNAL CORPS ENGINEERING LABORATORIES FORT MONMOUTH NEW JERSEY	
UNLESS OTHERWISE SPECIFIED: DECIMAL DIMENSIONS INCLUDING HOLE SIZES MAY VARY ±.005 FRACTIONAL DIMENSIONS INCLUDING HOLE SIZES MAY VARY ±1/64 MACHINED ANGLES MAY VARY ±1° BEARED ANGLES MAY VARY ±.25° BROKEN ANGLES MAY VARY ±1° ECCENTRICITY BETWEEN ANY DIAMETERS ON THE SAME CENTERLINE SHALL NOT EXCEED .010 TOTAL INDICATOR READING. ALL DIMENSIONS ARE FINISH DIMENSIONS INCLUDING APPLIED FINISH AND ARE GIVEN IN INCHES				REVIEWED PME		APPROVED HLY PME		DATE 12 JAN 56			
APPLICATION				5580086004		1 SM-D-249134 SC-DL-24975		SWITCH-ROTARY WAFER		SM-C-249222	
COLLINS NO.	QTY	NEXT ASSY	USED ON								