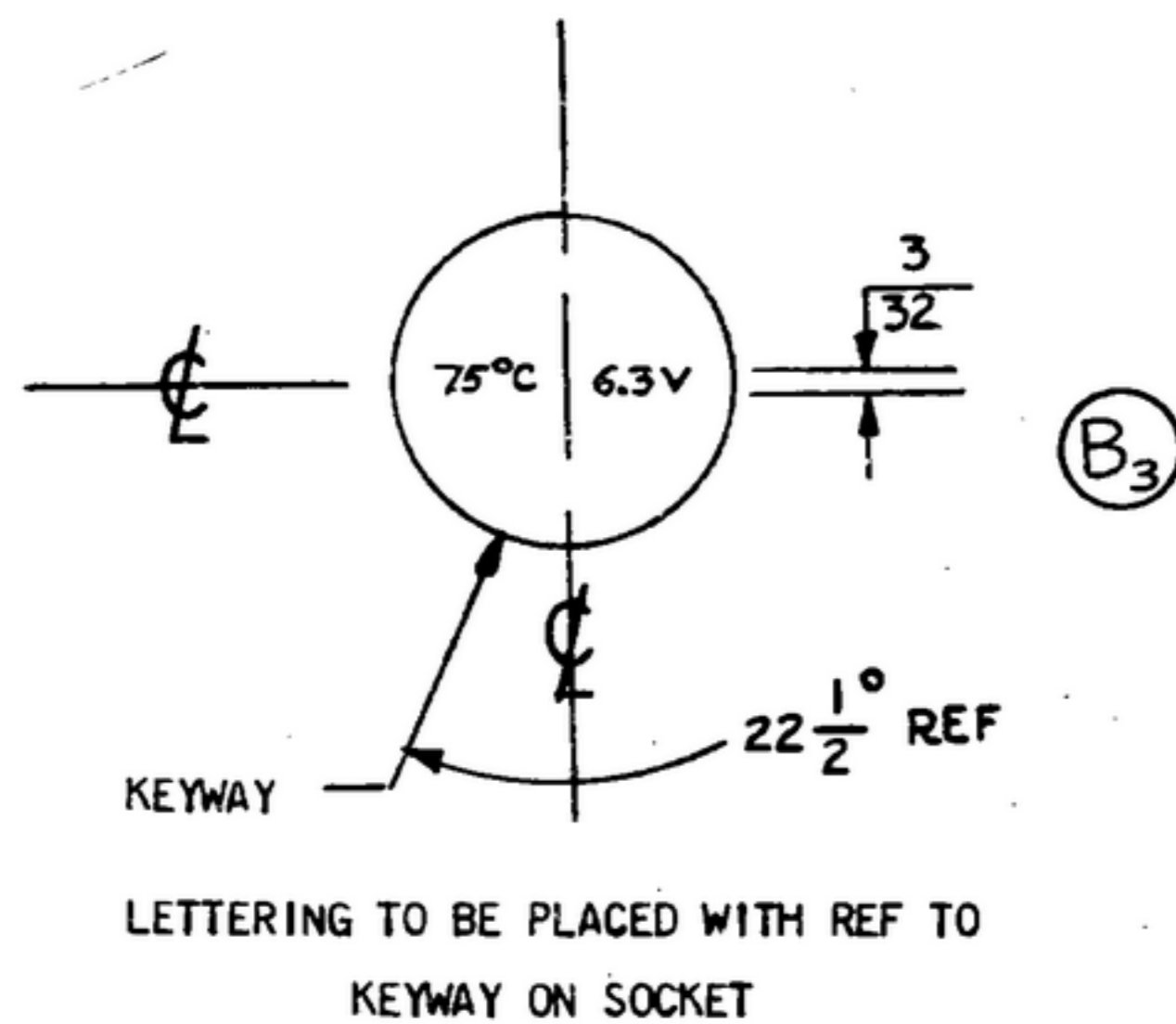
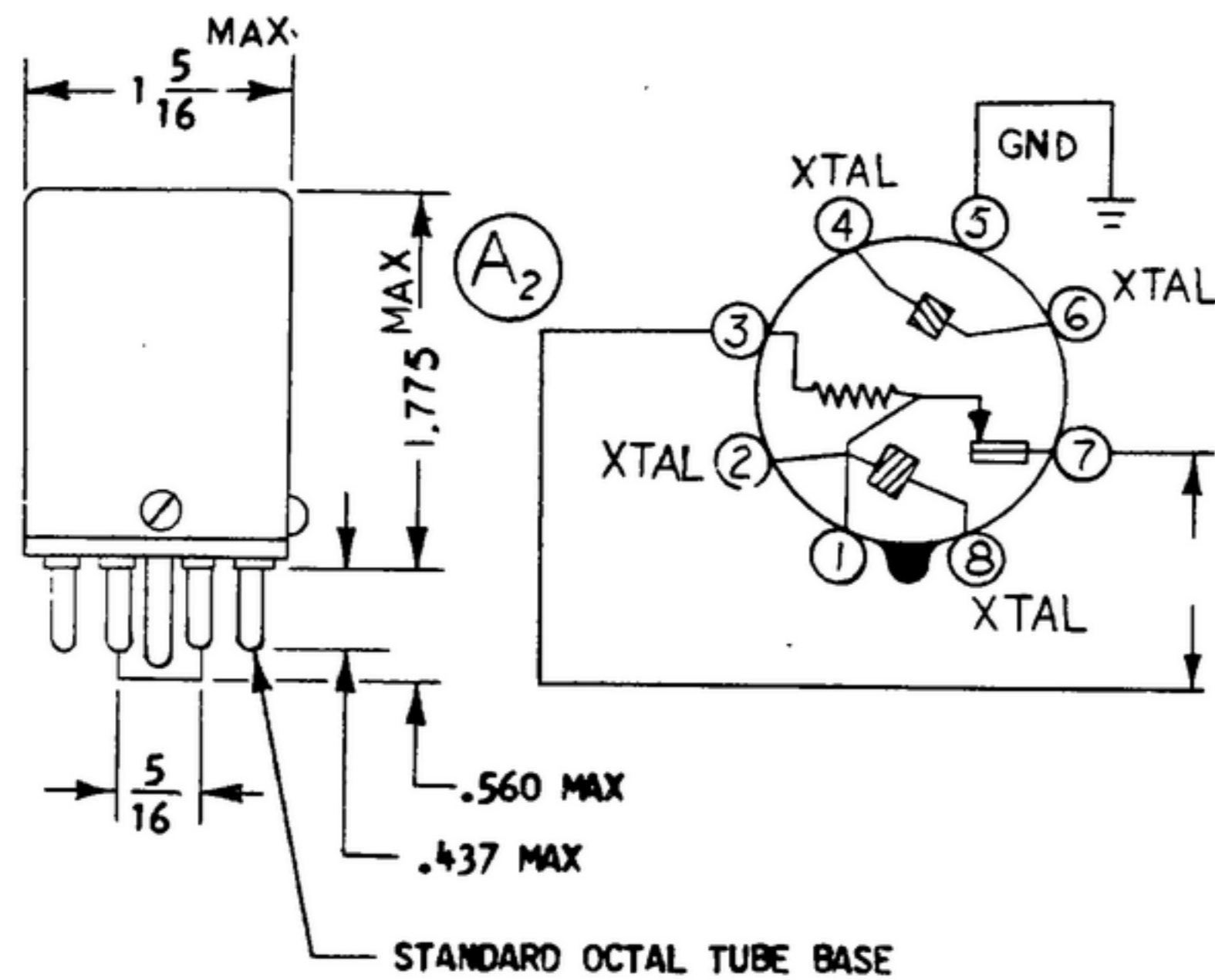


NOTICE - WHEN GOVERNMENT DRAWINGS, SPECIFICATIONS, OR OTHER DATA ARE USED FOR ANY PURPOSE OTHER THAN IN CONNECTION WITH A DEFINITELY RELATED GOVERNMENT PROCUREMENT OPERATION, THE UNITED STATES GOVERNMENT THEREBY INCURS NO RESPONSIBILITY NOR ANY OBLIGATION WHATSOEVER, AND THE FACT THAT THE GOVERNMENT MAY HAVE FORMULATED, FURNISHED, OR IN ANY WAY SUPPLIED THE SAID DRAWINGS, SPECIFICATIONS OR OTHER DATA IS NOT TO BE REGARDED BY IMPLICATION OR OTHERWISE AS IN ANY MANNER LICENSING THE HOLDER OR ANY OTHER PERSON OR CORPORATION, OR CONVEYING ANY RIGHTS OR PERMISSION TO MANUFACTURE, USE, OR SELL ANY PATENTED INVENTION THAT MAY IN ANY WAY BE RELATED THERETO.

"THIS DOCUMENT HAS BEEN PURCHASED BY THE GOVERNMENT AND MAY BE REPRODUCED AND USED IN CONNECTION WITH ANY GOVERNMENT PROCUREMENT OR MAINTENANCE OPERATION."

NOTE: DATA MARKED BY AN ASTERISK (*) ARE FOR INFORMATION ONLY, CONTRACTOR MAY, AT HIS OPTION, DEVIATE FROM THESE DETAILS

REVISIONS			
SYM	DESCRIPTION	DATE	APPROVAL
A ₁	- WAS MIL-P-14	6 NOV 59	42428-PC-59-A1-51
A ₂	- WAS 1-3/4	12 AUG 62	21582-PG61
	RETRACED, NO CHANGE		
B	(1) DELETED NOTE ON SALT SPRAY (2) ADDED NOTES 2 AND 3 (3) VIEW ADDED	10 JAN 63	21582-PG66 REV D PME



NOTES:

1. PART MAY BE TYPE JK09, AS SUPPLIED BY JAMES KNIGHTS CO., SANDWICH, ILL., OR EQUAL, PROVIDING IT MEETS THE FOLLOWING REQUIREMENTS AND DIMENSIONS SHOWN.

DESCRIPTION: CONSTANT TEMPERATURE CRYSTAL OVEN FOR HC-6/U CRYSTAL HOLDERS.
HEATER RATINGS: 6.3 VOLTS. 1.3 AMPS MAX.

AMBIENT TEMPERATURE RANGE: (-40°C TO +75°C). PART MUST BE CAPABLE OF WITHSTANDING TEMPERATURES RANGING FROM -55°C TO +105°C (NON-OPERATING) WITHOUT DAMAGE TO OPERATION OF UNIT.

OVEN TEMPERATURE: 75°C ± 3°C. MUST STABILIZE IN 15 MINUTES WITHOUT OVERSHOOT AND SHALL NOT CHANGE TEMPERATURE MORE THAN 3°C INCLUDING CYCLING OVER THE AMBIENT OPERATING TEMPERATURE RANGE.

MATERIALS: MATERIALS USED IN THE CONSTRUCTION OF THIS UNIT SHALL BE NON-NUTRIENT TO FUNGI. MOLDED PHENOLICS SHALL BE IN ACCORDANCE WITH MILITARY SPECIFICATION MIL-M-14. STEATITE PARTS SHALL BE IN ACCORDANCE WITH JOINT ARMY-NAVY SPECIFICATION JAN-1-10.

(A₁)
(B₁)

HUMIDITY: PART MUST BE CAPABLE OF WITHSTANDING A HUMIDITY TEST IN ACCORDANCE WITH MILITARY STANDARD 202, METHOD 106, WITHOUT THE ELECTRICAL OR MECHANICAL OPERATION BEING IMPAIRED.

(B₂)

(2) FINISH E513 PER SPEC MIL-F-14072
(3) MARKINGS AS INDICATED PER MIL-M-13231 AMEND 2 GROUP II

REQD	PART NO.	DESCRIPTION	MATL	MATL SPEC
LIST OF MATERIAL				

UNLESS OTHERWISE SPECIFIED		COLLINS RADIO CO. CEDAR RAPIDS, IOWA		DEPARTMENT OF THE ARMY U. S. ARMY SIGNAL MATERIEL SUPPORT AGENCY FORT MONMOUTH NEW JERSEY	
DIMENSIONS ARE IN INCHES TOLERANCES ON FRACTIONS DECIMALS ANGLES ± 1/64 ± .005 ± 1°		M214-PH-51-93			
DRAWN BY RAH		SIGNAL CORPS		OVEN-XTAL	
DATE		REVIEWED PME			
CHECKED BY PPM		APPROVED HLY PME		SM-C-249249	
APPROVED BY		DATE 24 JAN 56			
APPLICATION		SCALE 1 / 1		CODE 80063	

WHEN REFERRING TO THIS DRAWING STATE DRAWING NO., APPLICABLE ISSUE SYMBOL, IF ANY, AND DATE.