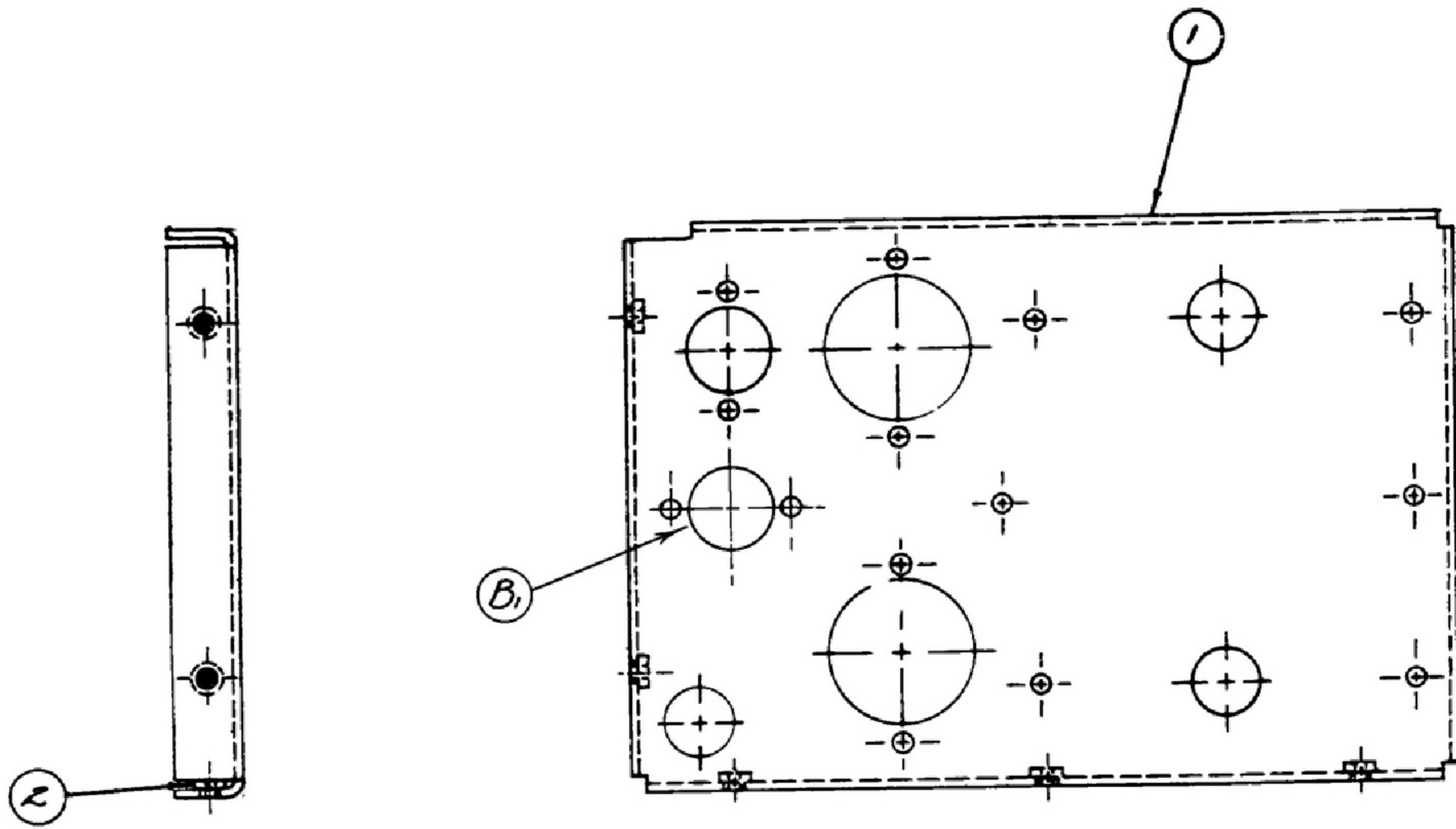


NOTES: THESE DIMENSIONS, SPECIFICATIONS, OR OTHER DATA ARE USED FOR THE PURPOSES OF THIS DRAWING ONLY. THE DRAWING IS NOT TO BE USED AS A SUBSTITUTE FOR A CONTRACT DOCUMENT. THE CONTRACTOR SHALL BE RESPONSIBLE FOR OBTAINING ALL NECESSARY INFORMATION AND FOR VERIFYING THAT THE DIMENSIONS, SPECIFICATIONS, OR OTHER DATA ARE CORRECT AND COMPLETE. THE CONTRACTOR SHALL BE RESPONSIBLE FOR OBTAINING ALL NECESSARY INFORMATION AND FOR VERIFYING THAT THE DIMENSIONS, SPECIFICATIONS, OR OTHER DATA ARE CORRECT AND COMPLETE.

THIS DRAWING HAS BEEN PREPARED BY THE GOVERNMENT AND MAY BE REPRODUCED AND USED IN CONNECTION WITH ANY GOVERNMENT PROGRAM OR CONTRACTING OPERATION.

* FOR INFORMATION ONLY. CONTRACTOR MAY AT HIS OPTION DEVIATE FROM THESE PROCESS DETAILS.

ORIG. ISSUE A		REVISIONS		20 AUG. 56	
SYM	DESCRIPTION	DATE	APPROVAL		
B ₁	(1) ADDED HOLE GROUP	21 MAY 64	REV'D.	G.E.B. J.H.B.	



Sheet 2 is missing

NOTES:
 1. SUPPLIED BY PENN ENGINEERING & MFG. CORP., DOYLESTOWN, PENN. OR EQUAL.
 2. ALL THREADS PER HANDBOOK H-28

UNLESS OTHERWISE SPECIFIED	
DIMENSIONS ARE IN INCHES	
TOLERANCES ON FRACTIONS DECIMALS ANGLES	
	$\pm 1/64$ $\pm .005$ —
SC-GL-5775B	
SM-D-31959	SC-GL-57655
NEXT ASSY	USED ON
APPLICATION	

DET. NO.	REQD.	PART NO.	DESCRIPTION	MATL.	FINISHED SIZE	SH'T	NOTE
2	5	-2	NUT #CL-440-2	STEEL			1
1	1	SM-C-31962-1	CHASSIS				2

LIST OF MATERIAL			
COLLINS BROS. CO. CEDAR RAPIDS, IA 08719-PH-55-93		SIGNAL CORPS	
REVIEWED XXX APPROVED S.R. J. et al. DATE 20 Aug 56		SCALE 1/1	
CHASSIS ASSY FOR POWER SUPPLY FOR INTERCHANGEABILITY GAGE FOR R-390A/URR & R-392/URR		DEPARTMENT OF THE ARMY SIGNAL CORPS ENGINEERING LABORATORIES FORT MONMOUTH NEW JERSEY SM-C-31962 SHEET 1 OF 2 SHEETS	