

EQUIP. TYPE A390A/477 EXP. NO.

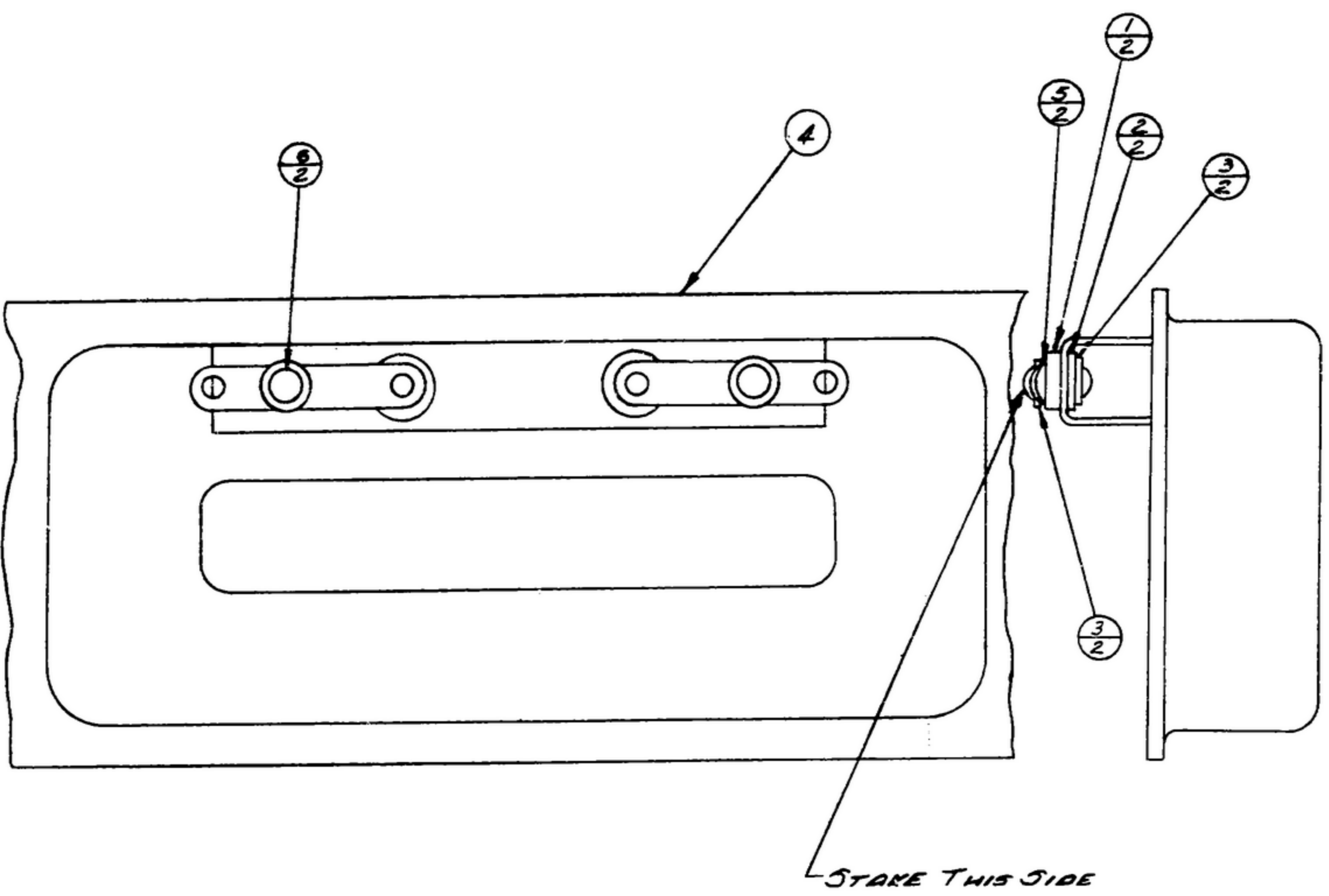
COL 506 0293 003

NOTES: THIS DRAWING IS A TECHNICAL DRAWING AND IS NOT TO BE USED FOR ANY PURPOSE OTHER THAN IN CONNECTION WITH A GOVERNMENT CONTRACT. THE CONTRACTOR SHALL BE RESPONSIBLE FOR THE DESIGN AND CONSTRUCTION OF THE DRAWING AND SHALL BE RESPONSIBLE FOR THE DESIGN AND CONSTRUCTION OF THE DRAWING AND SHALL BE RESPONSIBLE FOR THE DESIGN AND CONSTRUCTION OF THE DRAWING.

THIS DRAWING HAS BEEN FORWARDED BY THE UNIVERSITY AND MAY BE REPRODUCED AND USED IN CONNECTION WITH ANY GOVERNMENT CONTRACT OR CONTRACT WITH THE UNIVERSITY OR CONTRACTOR.

* FOR INFORMATION ONLY. CONTRACTOR MAY AT HIS OPTION DEVIATE FROM THESE PROCESS DETAILS.

REVISIONS			
SYM	DESCRIPTION	DATE	APPROVAL



NOTES:
1-IN ALL SPLIT BALLOONS TOP FIGURE IS MATERIAL LIST ITEM INDICATOR & BOTTOM FIGURE IS QUANTITY.

COLLING-PART-NO.	ITEM	REQD	PART NO.	DESCRIPTION	MATL	MATL SPEC	NOTES
559 0444 002	6	2	SM-B-283266-3	RIVET-TUBULAR			
506 0184 002	5	2	SM-B-283264	CONTACT-LAMP			
(SA) 558 0170 002	4	1	SM-B-170788	HOUSING ASSY			
558 0191 002	3	4	SM-B-170789	WASHER			
558 0090 002	2	2	SM-B-170788	WASHER			
558 0089 002	1	2	SM-B-170787	WASHER			

LIST OF MATERIAL -COLLING-PART-NO- 558 0093 003

DRAWN <i>LEG.</i>			CHECKED <i>[Signature]</i>	APPROVED	COLLING-RADNO-60: 14214-PH-51-93	DEPARTMENT OF THE ARMY SIGNAL CORPS ENGINEERING LABORATORIES FORT MONMOUTH NEW JERSEY <u>SM-C-283265</u>
UNLESS OTHERWISE SPECIFIED: DECIMAL DIMENSIONS INCLUDING HOLE SIZES MAY VARY ±.005 FRACTIONAL DIMENSIONS INCLUDING HOLE SIZES MAY VARY ±1/64 MACHINED ANGLES MAY VARY ±.1° SHEARED ANGLES MAY VARY ±.25° BROKEN ANGLES MAY VARY ±.1° ECCENTRICITY BETWEEN ANY DIAMETERS ON THE SAME CENTERLINE SHALL NOT EXCEED .010 TOTAL INDICATOR READING. ALL DIMENSIONS ARE FINISH DIMENSIONS INCLUDING APPLIED FINISH AND ARE GIVEN IN INCHES.					SIGNAL CORPS	
APPLICATION					REVIEWED <i>PME</i>	
COLLING-NO. <u>558 0584 003</u>	QTY. <u>1</u>	NEXT ASSY <u>SM-C-289149</u>	USED ON <u>SC-DL-28875</u>	APPROVED <i>HLV</i> <i>PME</i>	DATE <u>21 DEC 56</u>	

WHEN REFERRING TO THIS DRAWING STATE DRAWING NO., APPLICABLE ISSUE SYMBOL IF ANY, AND DATE