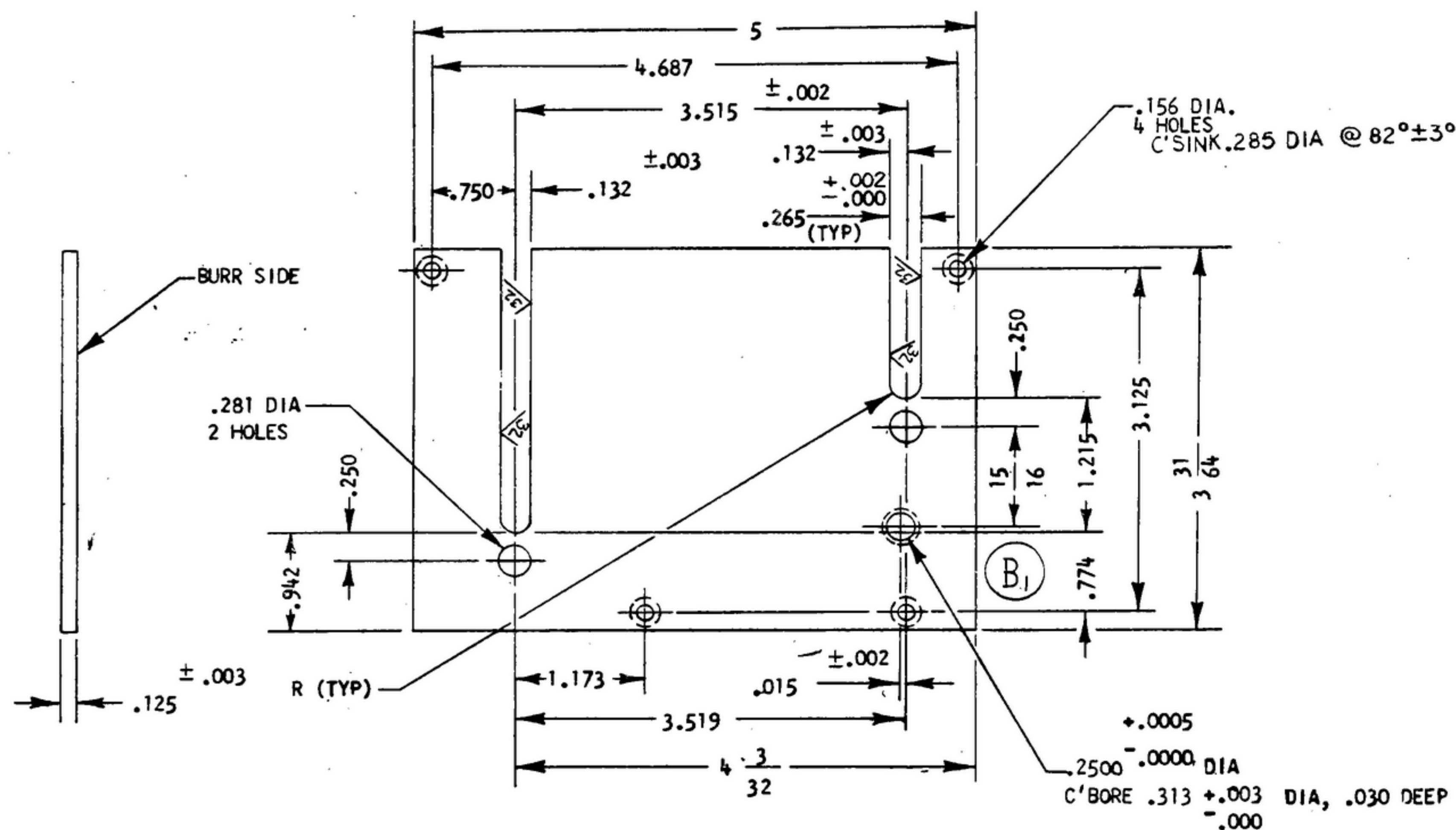


NOTICE - WHEN GOVERNMENT DRAWINGS, SPECIFICATIONS, OR OTHER DATA ARE USED FOR ANY PURPOSE OTHER THAN IN CONNECTION WITH A DEFINITELY RELATED GOVERNMENT PROCUREMENT OPERATION, THE UNITED STATES GOVERNMENT THEREBY INCURS NO RESPONSIBILITY NOR ANY OBLIGATION WHATSOEVER, AND THE FACT THAT THE GOVERNMENT MAY HAVE FORMULATED, FURNISHED, OR IN ANY WAY SUPPLIED THE SAID DRAWINGS, SPECIFICATIONS OR OTHER DATA IS NOT TO BE REGARDED BY IMPLICATION OR OTHERWISE AS IN ANY MANNER LICENSING THE HOLDER OR ANY OTHER PERSON OR CORPORATION, OR CONVEYING ANY RIGHTS OR PERMISSION TO MANUFACTURE, USE, OR SELL ANY PATENTED INVENTION THAT MAY IN ANY WAY BE RELATED THERETO.

"THIS DOCUMENT HAS BEEN PURCHASED BY THE GOVERNMENT AND MAY BE REPRODUCED AND USED IN CONNECTION WITH ANY GOVERNMENT PROCUREMENT OR MAINTENANCE OPERATION."

NOTE:
DATA MARKED BY AN ASTERISK (*) ARE FOR INFORMATION ONLY, CONTRACTOR MAY, AT HIS OPTION, DEVIATE FROM THESE DETAILS

REVISIONS			
SYM	DESCRIPTION	DATE	APPROVAL
B ₁	B ₁ - CENTER LINE REMOVED FOR CLARITY	7 APR 60	CAB4738
-	RETRACED, NO CHANGE	10 AUG 62	21582PC61 PME



- NOTES:
1. MATERIAL: AL ALLOY 2024, TEMPER T3, PER SPEC QQ-A-355
 2. FINISH: E513 PER SPEC MIL-F-14072
 3. PLATE SHALL BE FLAT WITHIN .020 TIR.

REQD	PART NO.	DESCRIPTION	MATL	MATL SPEC

UNLESS OTHERWISE SPECIFIED				STEWART WARNER ELECTRONICS		DEPARTMENT OF THE ARMY	
DIMENSIONS ARE IN INCHES				42428-PC-59		U. S. ARMY SIGNAL MATERIEL SUPPORT AGENCY	
TOLERANCES ON FRACTIONS DECIMALS ANGLES				SIGNAL CORPS		FORT MONMOUTH NEW JERSEY	
+ 1/64 ± .005 ± 1°				REVIEWED P.M.E.		SM-C-343593	
DRAWN BY <i>V. Scardina</i>				APPROVED P.M.E.		CODE 80063	
DATE				DATE 7 OCT 59		SCALE 1 / 1	
CHECKED BY <i>Walters</i>							
APPROVED BY <i>Walters</i>							
SM-B-343593		SGDL-248775		APPLICATION			
NEXT ASSY		USED ON					

WHEN REFERRING TO THIS DRAWING STATE DRAWING NO., APPLICABLE ISSUE SYMBOL, IF ANY, AND DATE.