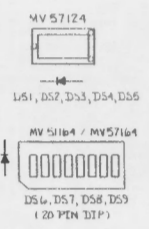
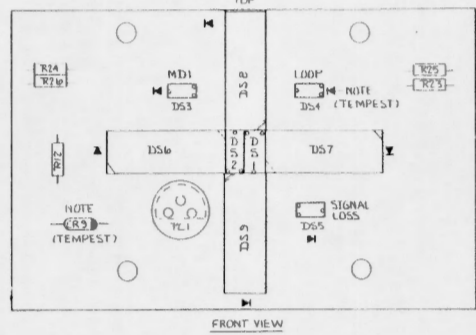
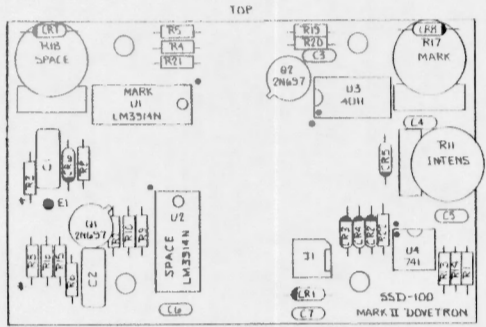


-- TEMPEST --

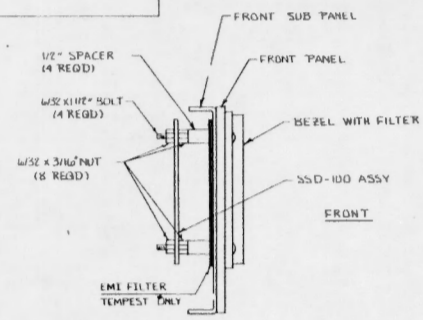
NOTE: REVERSE POLARITY OF DS4 (LOOP LED) AND INSTALL 150HM(R27) IN PLACE OF CR9 FOR USE IN MPC-1000T.

REV	DESCRIPTION	DATE	APPROVED



* NOT NORMALLY INSTALLED

FRONT VIEW



COMPONENTS-SSD-100K RETROFIT KIT

QTY	PART NO.	REF DES	DESCRIPTION	REC MANUF
11	4	HHS-25031	SPACER, 1/32 X 1/2 INCH	HH SMITH
10	1	LUN-1/8	LAMP, CABLE, NYLON	TCO-RALLY
5	1	KMW-401	WASHER, FLAT NO. 4	WALDOM
8	2	CARB FILM MPC-R222	RESISTOR, 100Ω, 1/4W, 5%	BEYSCHLAG
7	1	TLOB1CP	OP-AMP, 8 PIN MINI DIP	TEX. INST.
6	1	CARB FILM MPC-R114	RESISTOR, 480Ω, 1/4W, 5%	BEYSCHLAG
5	8	HMS-9291	NUT, 1/32 X 3/16 INCH	DOVETRON
4	4		BOLT, 1/32 X 1 1/2 INCH	DOVETRON
3	1	5BRP2-246-10-B12	EFA CODING CABLE ASSY, 8 WIRE 1/2 INCHES	C.A.
2	1	75203	SSD BEZEL WITH OPTICAL FILTER	DOVETRON
1	1	75305	SSD-100 SOLID STATE CROSS DISPLAY ASSY	DOVETRON

COMPONENTS-SSD100 ASSEMBLY

QTY	PART NO.	REF DES	DESCRIPTION	REC MANUF
30	5	MV57124	DS1, 2, 3, 4, 5 L.E.D., RECTANGULAR	GEN. INST.
29	4	MV51164 / MV57164	DS6, 7, 8, 9 L.E.D. 20 PIN DIP STICK	GEN. INST.
28	4	IN914B	CR5, 6, 7, 8 DIODE, SIGNAL	IRC
27	4	IN4007	CR1, 2, 3, 4 DIODE, POWER	IRC
26	5	5-LPS-B	SOCKET, TRANSISTOR	TRW
25	2	2N657 / 2N219A	Q1, Q2 TRANSISTOR	MOTOROLA
24	4	CA-205-75D	SOCKET, DIP, 20 PIN	C.A.
23	1	u741	U4 INTEGRATED CIRCUIT	TEX. INST.
22	1	14011	U3 INTEGRATED CIRCUIT	MOTOROLA
21	2	LM3314N	U1, U2 INTEGRATED CIRCUIT	NATIONAL
20	5	025TL-100W	SOCKET, SIP, 2 PIN	C.A.
19	1	VT8411	PC1 PHOTOCELL	VACTEC
18	1	09-D01-1183	FILTER, EMI (TEMPEST)	CAL-METEX
17	3	3355U-1	RY1, 17, 18 POT, 500K	BOURNS
16	1	IN751A	CR9 DIODE, ZENER, 5.1 VDC	IRC
15	2	CARB FILM R3, R8	RESISTOR, TBD	R-OHM
14	2	R1, 6	1M, 1/4W, 5%	
13	3	R19, 23, 24	30K	
12	2	R25, 26	20K	
11	3	R12, 14, 15	4.7K	
10	2	R5, 10	7.5K	
9	2	R2, 7	2.7K	
8	1	R16	2K	
7	4	R4, 9, 13, 20	1K	
6	3	CARB FILM R7, 22, 27	RESISTOR, 150Ω, 1/4W, 5%	R-OHM
5				
4	2	MYLAR C1, C2	CAPACITOR, .05μF	PLESSEY
3	3	LER DISC C3, C4, C5	CAPACITOR, .01μF	DILECTRON
2	2	LER DISC C6, C7	CAPACITOR, 270pf	DILECTRON
1	1	75305	P.C. BOARD	DOVETRON

GOVERNMENT PROPERTY

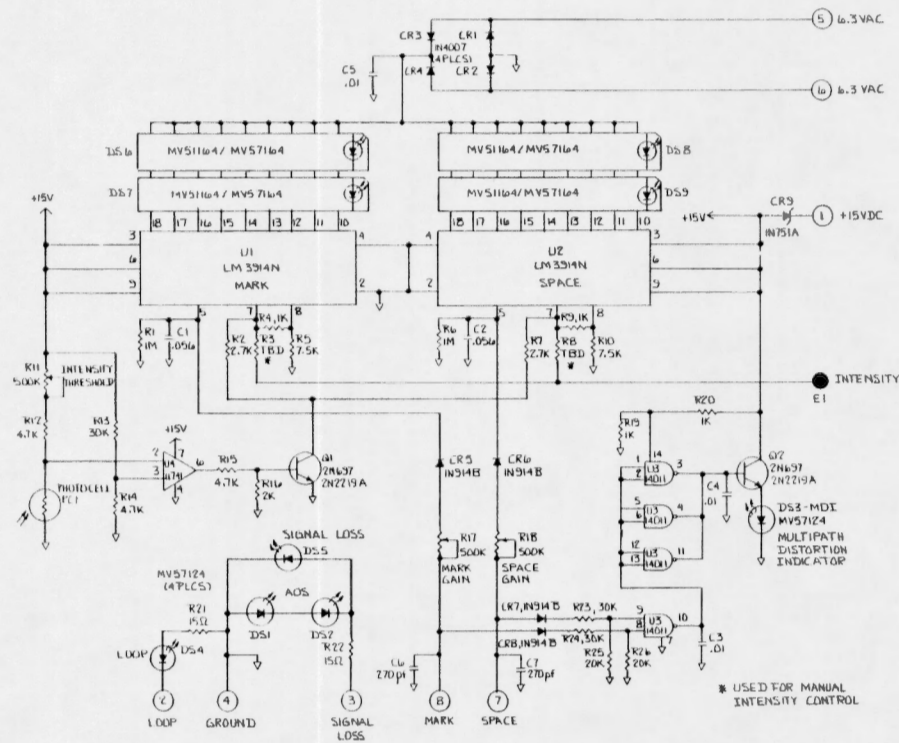
SSD-100 BOARD
ASSY & SCHEMATIC

APPROVALS: DATE: 10-14-75
DRAWN: JEE
CHECKED: JEE
SCALE: 2:1
SHEET 1 OF 1

CABLE INSTALLATION IN MPC SERIES

J1	MPC MAIN BOARD LOCATION
1	MPC +V AT TP9
2	MPC JUMPER LOCATION C- REMOVE R17D
3	JUNCTION OF R14 & R215-R214 NOT INSTALLED
4	MPC GROUND AT TP8
5	CRT FILAMENT E-POINT PIN I
6	CRT FILAMENT E-POINT PIN II
7	SPACE CHANNEL INPUT TO Q4 (REMOVED)
8	MARK CHANNEL INPUT TO C63 (REMOVED)

NOTE: TO RETROFIT CRT WITH SSD-100K:
 1. REMOVE CR45, CR46, C63 & C64.
 2. CHANGE R14 TO 1/8R, 1/4W, 5%.
 3. CHANGE R37 TO TLOB1CP OP-AMP.
 4. CHANGE R17D & R222 TO 120Ω, 1/4W, 5%. CONSULT INSTALLATION INSTRUCTIONS FOR WIRING CHANGES ON MAIN BOARD.
 5. CONSULT SSD-100 CALIBRATION PROCEDURE FOR ADJUSTMENT OF MV5 GAIN & INTENSITY THRESHOLD CONTROL.



* USED FOR MANUAL INTENSITY CONTROL

MARK II

THIS DOCUMENT CONTAINS PROPRIETARY AND CONFIDENTIAL INFORMATION, WHICH SHALL NOT BE REPRODUCED OR TRANSFERRED TO OTHERS OR TO OTHER DOCUMENTS IN WHOLE OR IN PART, OR USED FOR MANUFACTURING OR ANY OTHER PURPOSE WITHOUT PRIOR WRITTEN PERMISSION FROM DOVETRON, INC.

US PAT. NO. 4,229,698