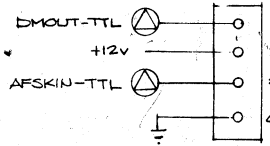
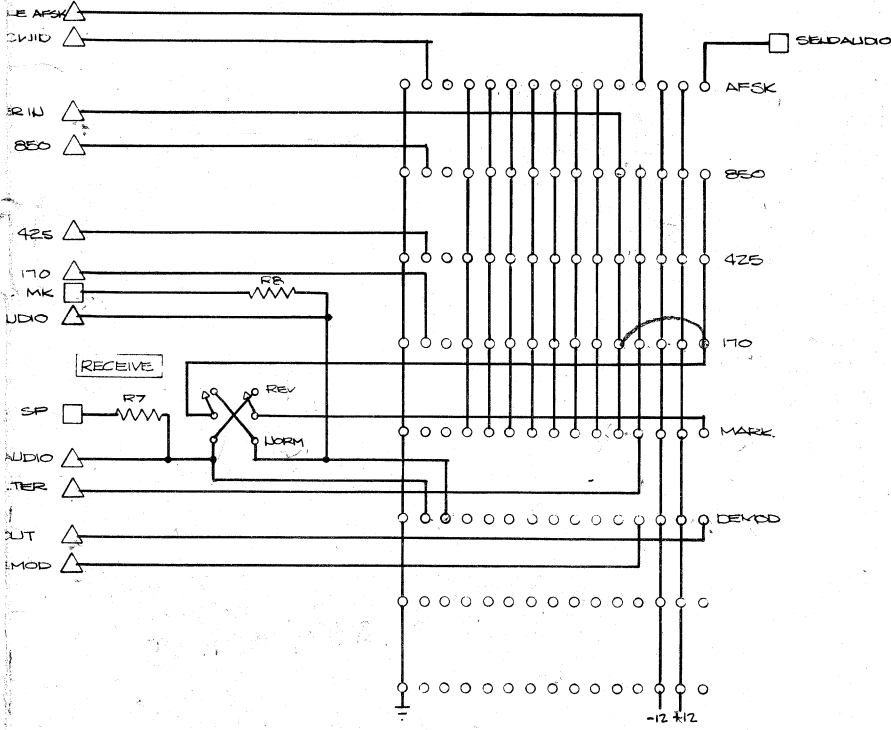
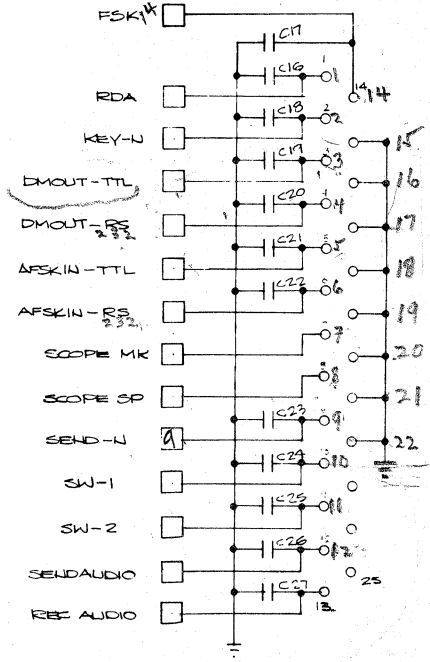


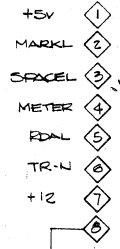
PLUS-IN CIRCUIT ASSEMBLY CONNECTORS



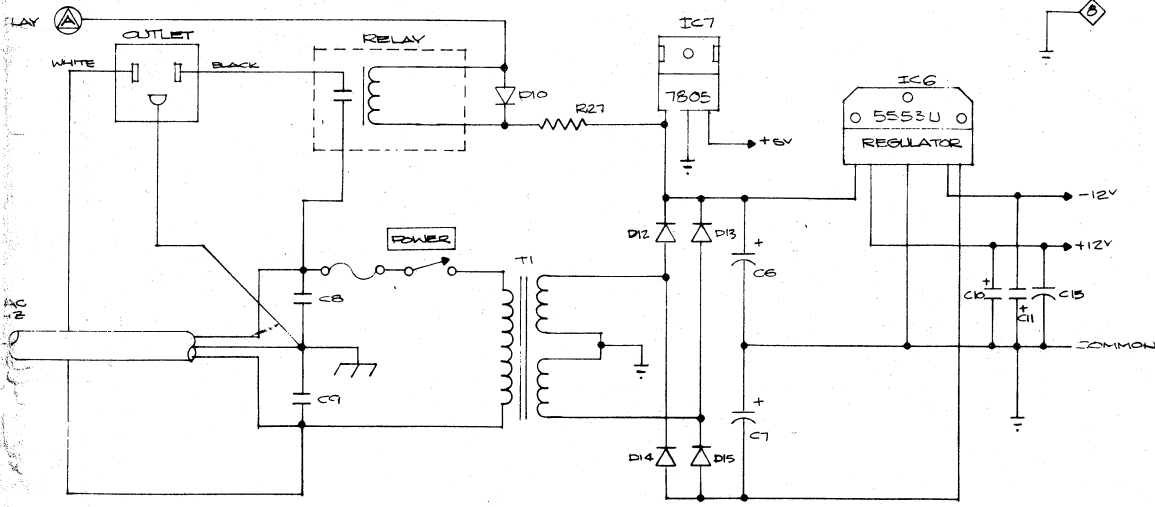
P2
EXTERNAL LOOP CONTROL CONNECTOR



P1
INTERFACE CONNECTOR



DISPLAY CONNECTOR



LTR		DESCRIPTION		DATE	APPROVED
APPROVALS	DATE	UNLESS OTHERWISE SPECIFIED DIMENSIONS ARE IN INCHES		1/5/62	FLESHER Corp. TOPEKA, KANSAS
DRAWN		.X ± .030	.XX ± .015		
CHECKED		.XXX ± .005	ANGLES ± 1/2°		
MATERIAL				WIRING DIAGRAM TB-300	
FINISH				500 346 A.	
SCALE				SHEET OF	