

R P C - 2 0 0 0

Radio Packet Controller

Copyright 1988 by HAL Communications Corp., Urbana, Illinois.
Printed in the United States of America. All rights reserved.
Contents of this publication may not be reproduced in any form
without the written permission of the copyright owner.

IBM, IBM PC, PC-XT, and PC-AT as used in this manual are
trade marks of International Business Machines Corporation.

January, 1988 Printing.

CONTENTS:

INTRODUCTION	1
MINIMUM HARWARE REQUIREMENTS	2
MANUAL OVERVIEW	2
CHAPTER 1. INSTALLATION	4
1.1 Unpacking	4
1.2 Options Available	4
1.3 Card Installation	4
1.3.1 Jumper Selections	5
1.3.2 HAL DS-3200 Radio Data Communications Terminal	7
1.3.3 IBM PC, PC-XT, and PC-AT Computers	7
1.3.4 IBM-compatible Computers	7
1.4 Installation of the Optional 7910 Modem Chip (M2-RPC)	8
1.5 RPC-2000 Software Installation	8
CHAPTER 2. CONNECTIONS	10
2.1 Introduction	10
2.2 RPC-2000 Channel A Connector Pin-Out	14
2.3 RPC-2000 Channel B Connector Pin-Out	15
2.4 Connecting the RPC-2000 to Your Radio Equipment	16
2.4.1 Connecting Channel A to an External HF Modem	16
2.4.2 Connecting Channel A to a VHF Radio with the M2-RPC Option Installed	19
2.4.3 Connecting Channel B to a VHF Radio	20
2.5 Radio Equipment Connector Pin-Outs	21
CHAPTER 3. OPERATION	22
3.1 Loading the Software	22
3.2 The Command Tree	23
3.3 Operating the RPC-2000	31
3.3.1 Initial Setup	32
3.3.2 Linking Directly with Another Station	33
3.3.3 Linking Through "Digipeaters"	33
3.3.4 The Callpath Command	34
3.3.5 Operation Using Repeaters	35

CHAPTER 4.	USER ADJUSTMENTS	36
4.1	Modem Audio Output Level Adjustments	36
CHAPTER 5.	IN CASE OF DIFFICULTY	37
5.1	Care and Feeding of Your RPC-2000	37
5.2	Typical Operational Problems	38
5.3	RFI Problems	38
5.4	Repair Procedures	40
CHAPTER 6.	TECHNICAL DESCRIPTION	42
6.1	Specifications	42
6.2	Circuit Description Overview	44
6.2.1	PC Buss Interface Circuitry	44
6.2.2	Timer and Interrupt Circuitry	44
6.2.3	Serial Communications Controller (SCC) Circuitry	44
6.2.4	Push-to-Talk (PTT) and System Indicator Circuitry	45
6.2.5	AM7910 Modem Circuitry	45
6.2.6	RPC-2000 Connector Pin-Outs and Connector RF Bypassing	46
LIMITED WARRANTY		53

ILLUSTRATIONS:

FIGURE	1.	RPC-2000	3
FIGURE	2.	RPC-2000 Parts Placement	6
FIGURE	3.	RPC-2000 Channel A Connector Pin-Outs	14
FIGURE	4.	RPC-2000 Channel B Connector Pin-Outs	15
FIGURE	5.	RPC-2000 Channel A Connections to the HAL ST-8000 HF Modem	18
FIGURE	6.	RPC-2000 Channel A (M2-RPC Installed) to a VHF Radio	19
FIGURE	7.	RPC-2000 Channel B a to a VHF Radio	20
FIGURE	8.	The Command Tree	24
FIGURE	9.	PC Buss Interface Circuitry	47
FIGURE	10.	Timer and Interrupt Circuitry	48
FIGURE	11.	Serial Communications Controller (SCC) Circuitry	49
FIGURE	12.	Push-to-Talk (PTT) and System Indicator Circuitry	50
FIGURE	13.	RPC-2000 AM7910 Modem Circuitry	51
FIGURE	14.	Connector Pin-Outs and RF Bypassing	52

TABLES:

TABLE	1.	RPC-2000 Jumpers	5
TABLE	2.	RPC-2000 Channel A DB-25P (J8) I/O Connections	11
TABLE	3.	RPC-2000 Channel A DB-25P (J8) I/O Ratings	12
TABLE	4.	RPC-2000 Channel B DE-9S (J9) I/O Connections	13
TABLE	5.	RPC-2000 Channel B DE-9S (J9) I/O Ratings	13
TABLE	6.	Typical HF Packet Tone Sets	17
TABLE	7.	Booting the Software	23

RPC-2000 INSTRUCTION MANUAL

INTRODUCTION

This manual describes the installation and operation of the HAL RPC-2000 Radio Packet Controller. This interface is specifically designed for the HAL DS-3200 Radio Data Communications Terminal or any fully IBM-compatible PC, PC-XT, or PC-AT device.

The RPC-2000 is a two channel radio packet controller that adds fast, error-free data communications to radio links. The RPC-2000 uses Packet Radio protocol based on AX.25 to provide error-free data communications at rates from 45 to 4800 BPS. Two switchable channels are included in the RPC-2000, providing error-corrected data communications capability on two radio systems. The standard configuration includes an onboard 7910 modem with a DE-9S connector for one packet channel. An optional 7910 modem or an external modem can be used with the DB-25P connector for the second packet channel. Thus, a high-performance HF modem such as the HAL ST-8000 may be directly connected to the RPC-2000 for optimum HF performance. The RPC-2000 does not require use of any of the asynchronous RS-232C serial I/O ports of the terminal or PC-compatible. Rather, the RPC-2000 makes use of the synchronous data ports of the system.

The RPC-2000 is driven entirely from disk-based software that runs in the DS-3200 or PC-compatible. This software is specifically designed to be very user friendly. All features and modes are chosen from on-screen menus. Communication parameters such as connect status, call signs, paths, data rate, and others are shown by on-screen status indicators.

The exclusive HAL CALLpath feature provides a user-programmable directory of frequently used call signs and connect paths. In addition, the RPC-2000 provides disk file transfer and storage. The mode, tones, and data rate of the internal modem(s) are controlled by keyboard commands.

The software is furnished with the RPC-2000 at no additional cost.

The RPC-2000 includes a large number of features, giving a great deal of flexibility to the operator. It is suggested that the operator particularly read all of Chapters 1 and 2 before installing the RPC-2000 circuit board and Chapter 3 before attempting the use of the board and software.

MINIMUM HARDWARE REQUIREMENTS

The RPC-2000 Radio Packet Controller board is designed to be used in the HAL DS-3200 Radio Data Communications Terminal or in an IBM PC, PC-XT, or PC-AT computer. The RPC-2000 will also work well with fully IBM-compatible computers.

Due to possible differences in the computer BIOS (Basic Input/Output System) ROM integrated circuits used in IBM-compatible computers, HAL Communications Corp. cannot guarantee the RPC-2000 will work in ALL "IBM-compatible computers".

Minimum System Requirements: PC-DOS or MS-DOS Version 2.1 or later. Full-length (13 1/4") card slot. Two 360K floppy disk drives or hard disk drive. 512K RAM.

MANUAL OVERVIEW

This manual describes the installation and operation of the HAL RPC-2000 Radio Packet Controller. In the following chapters you will learn how to install, connect, and operate your RPC-2000.

Chapter 1 covers RPC-2000 installation; this chapter should be CAREFULLY reviewed before installing the RPC-2000 into your DS-3200 or computer. Also discussed is the installation of the system software.

Chapter 2 discusses connecting the RPC-2000 to your radio equipment and an external modem (if used). RPC-2000 I/O ratings are also presented in this chapter. PLEASE read this chapter carefully as possible damage to your DS-3200 or computer and your radio equipment can occur if the connections are incorrectly made.

Chapter 3 discusses loading system software and overall operation of the RPC-2000.

Chapter 4 summarizes user adjustments to the RPC-2000.

Chapter 5 provides some assistance should technical problems arise with the RPC-2000.

Chapter 6 contains the specifications, a brief technical description of the RPC-2000, and schematic diagrams.

The last section of this manual presents the HAL Communications Corp. 1 YEAR Limited Warranty.

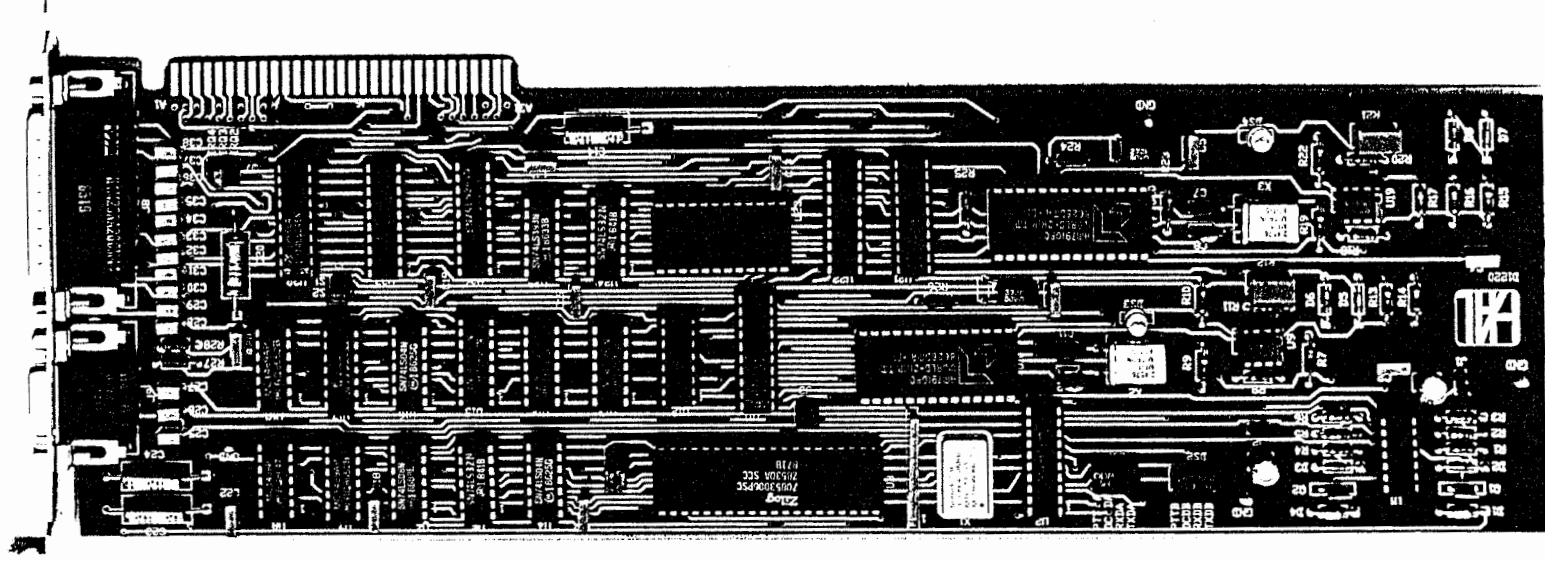


FIGURE 1. RPC-2000

CHAPTER 1
INSTALLATION

1.1 Unpacking

When unpacking your new RPC-2000, carefully inspect the shipping carton, the circuit board, and the software diskette for shipping damage. Any evidence of damage should be immediately reported to your supplying dealer or shipping carrier. Be sure to save all packing materials if damage is found - the shipping carrier will want to inspect them for any insurance claim.

Check the accessories against the following list. If any are found missing, double-check the packing for loose parts and notify your dealer or HAL Communications Corp. immediately so that the shortage may be rectified. Please be sure to specify the HAL part number!

Packing List:

1 - 934-02000	RPC-2000 Circuit Board
1 - 865-02001	RPC-2000 Software Diskette
1 - 870-02001	RPC-2000 Instruction Manual
1 - 333-20090	DE-9P Connector
1 - 333-51218	DE-9P Connector Shell
1 - 333-10250	DB-25S Connector
1 - 333-51228	DB-25P Connector Shell
2 - 333-74564	Connector Shell Hardware Kits

1.2 Options Available

The only option available for the RPC-2000 is the M2-RPC Second On-Board Modem Option. This consists of a 7910 I.C. modem designed to plug into the U20 socket on the RPC-2000 circuit board. This optional modem I.C. is used for Channel A on the DB-25P connector. Please contact your HAL dealer or HAL Communications Corp. directly for the M2-RPC.

1.3 Card Installation

The RPC-2000 is constructed on one full-length IBM plug-in card. It may be inserted into any unused full-length card slot in the DS-3200 Radio Data Communications Terminal or IBM PC, PC-XT, PC-AT, or fully IBM-compatible computer.

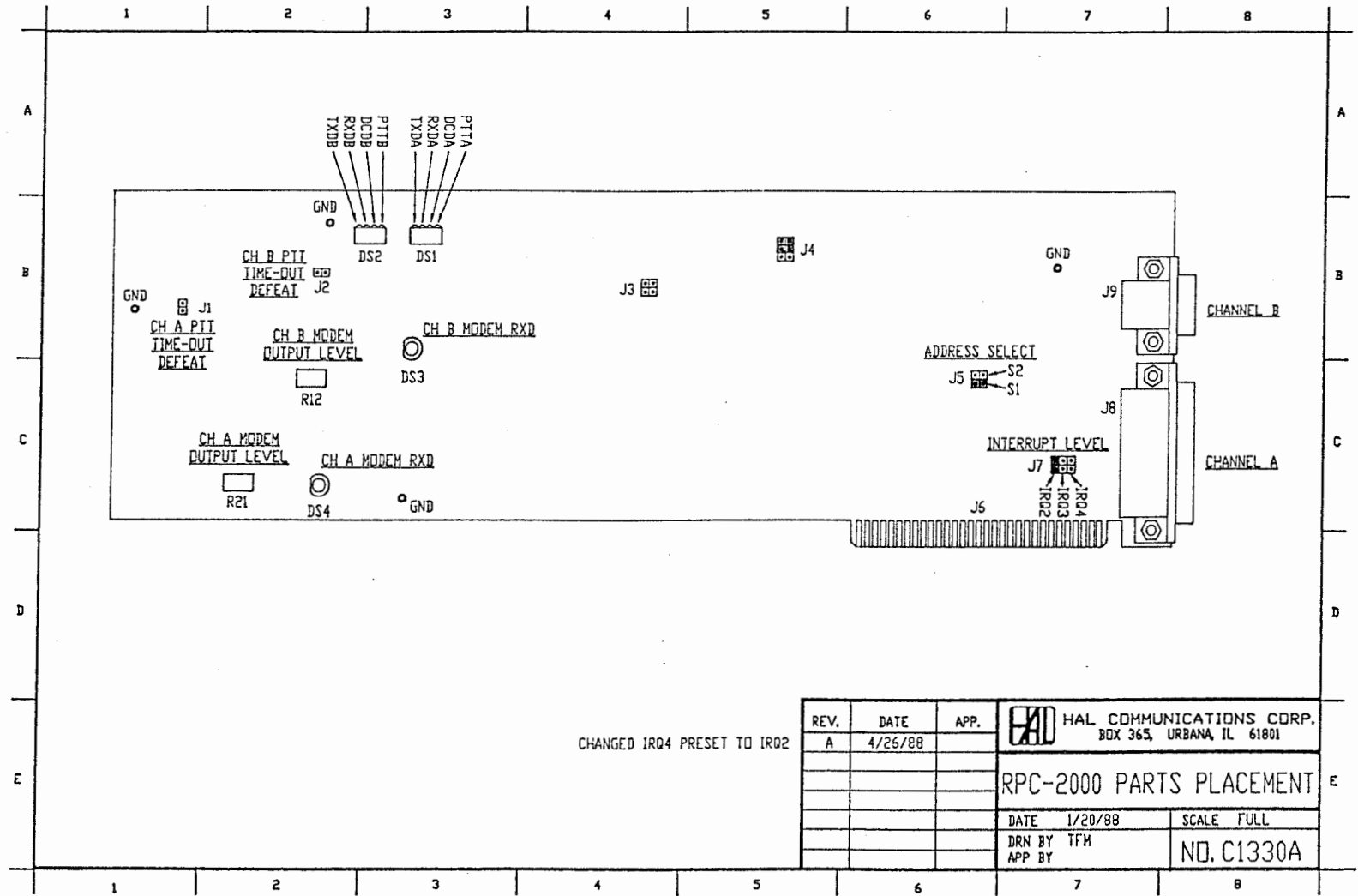
1.3.1 Jumper Selections

Before installing the RPC-2000 in your DS-3200 or computer, please check to see that the jumpers on the RPC-2000 circuit board are set correctly. The available jumpers are shown in Table 1 and their positions are shown in Figure 2.

TABLE 1
RPC-2000 JUMPERS

JUMPER	POSITIONS	FACTORY SETTINGS
CHANNEL A PTT TIME-OUT DEFEAT (J1)	ON/OFF	OFF
CHANNEL B PTT TIME-OUT DEFEAT (J2)	ON/OFF	OFF
CHANNEL A SELECT (J3)	FACTORY PRE-SET	
EXTERNAL CLOCK SELECT (J4)	RESERVED FOR FUTURE USE	
ADDRESS SELECT ADR (J5)	S1/S2	S1
INTERRUPT REQUEST SELECT IRQ (J7)	IRQ2/IRQ3/IRQ4	IRQ2

FIGURE 2. RPC-2000 PARTS PLACEMENT



CHANGED IRQ4 PRESET TO IRQ2

REV.	DATE	APP.	HAL COMMUNICATIONS CORP. BOX 365, URBANA, IL 61801	
A	4/26/88		RPC-2000 PARTS PLACEMENT	
			DATE 1/20/88	SCALE FULL
			DRN BY TFH	NO. C1330A
			APP BY	

NOTE: The RPC-2000 has been tested in HAL DS-3200 Radio Data Communications Terminals and in "standard" versions and models of the IBM PC, PC-XT, PC-AT, and several fully IBM-compatible computers with standard video cards, disk controllers, and serial communications cards. However, HAL Communications Corp. cannot assume responsibility (or non-operation) of the card when other options are installed in the DS-3200 or computer. If problems are experienced, try removing extra option cards until correct operation is observed.

Generally, the RPC-2000 will function normally if the following conditions are met by the IBM-compatible computer in question:

1. Compatible ROM BIOS (Basic Input/Output System) routines.
2. Compatible IBM-buss structure.
3. Compatible interrupt routines.

1.3.2 HAL DS-3200 Radio Data Communications Terminal

Remove the 16 flat-head screws from the top cover. Lift-off the top cover. The RPC-2000 may be installed in any of the long slots available in the DS-3200. Remove the card slot cover from the long slot chosen for the RPC-2000 installation. Plug-in the RPC-2000 and secure the card bracket with the screw originally removed from the card slot cover. Replace the top cover of the DS-3200 with the 16 flat-head screws.

1.3.3 IBM PC, PC-XT, and PC-AT Computers

Remove the back panel screws which secure the top chassis cover. Slide the cover forward and lift-away from the computer bottom chassis. The RPC-2000 may be installed in any of the long slots available in the computer. Remove the card slot cover from the long slot chosen for the RPC-2000 installation. Plug-in the RPC-2000 and secure the card bracket with the screw originally removed from the card slot cover. Slide-on the top chassis cover and secure with the back panel screws.

1.3.4 IBM-compatible Computers

Due to the rapid growth of the "PC-compatible" market, it is impossible to list all of the possible chassis variations available. However, installation of the RPC-2000 in an IBM-

compatible most often is very similar to that of the IBM PC, in that the top cover chassis is removed in the same fashion. Some IBM-compatibles, however, may have a top cover which is hinged at the rear allowing easier access to the expansion slots.

1.4 Installation of the Optional 7910 Modem Chip (M2-RPC)

Remove the 7910 modem integrated circuit from the packing material. CAUTION: SOLID STATE DEVICES ARE VERY SENSITIVE TO STATIC ELECTRICITY. ALL WORK SHOULD BE ACCOMPLISHED IN AN AREA OF NO STATIC ELECTRICITY.

Carefully install the 7910 in the U20 socket. Pin 1 of the 7910 -- which is denoted by a dimple in the plastic cover -- should be oriented next to the Pin 1 silk-screened on the RPC-2000 printed circuit board. Please check that all pins are properly seated in the socket and that there are no bent pins.

1.5 RPC-2000 Software Installation

The software for the RPC-2000 is supplied on one 5.25" floppy diskette. You should make back-up copies of this diskette BEFORE attempting operation. It is HIGHLY RECOMMENDED that you place a write-protect tab on the HAL RPC-2000 diskette. This will help prevent accidental erasing of the original diskette when copying the files. The DOS system files must also be included on the operating RPC-2000 diskette should you wish the diskette to be a "bootable" one.

First, you must prepare a new diskette using the FORMAT/S command. This formats the diskette and places the DOS "hidden" files and COMMAND.COM on the diskette. Next, copy the RPC-2000 files from the master to the newly formatted diskette. Please refer to your DOS manual for proper procedures for your computer configuration. After copies have been made, store the master HAL RPC-2000 diskette in a safe location and use a copy of the master diskette for normal operation.

For a DS-3200 Radio Data Communications Terminal or an IBM-compatible computer with a hard drive, simply copy the RPC-2000 software diskette files to your hard drive. You may wish to make a sub-directory on the hard disk with the \MD DOS command. You could name the sub-directory \PACKET or \RPC, or whatever filename you wish.

NOTE: The RPC-2000 software will function only with the HAL RPC-2000 circuit board installed. The RPC-2000 software is copyrighted by HAL Communications Corp. and duplication of the software for other than your own use with the RPC-2000 is specifically prohibited. Any attempt to copy this software for resale or any other use other than with the supplied RPC-2000 circuit board will be vigorously prosecuted to the full extent of the copyright laws.

After the RPC-2000 circuit board is installed in the DS-3200 or IBM-compatible computer (but before connection to the radio system), "boot" the RPC-2000 software. After the program "boots", you will see the title page with the software version number. Remember this version number! We will need to know the version number if you should call us with a software problem.

CHAPTER 2
CONNECTIONS

This chapter describes connecting the RPC-2000 Two-Channel Radio Packet Controller to your radio station equipment. PLEASE CAREFULLY READ THIS CHAPTER BEFORE ATTEMPTING TO CONNECT THE RPC-2000 TO YOUR TRANSCEIVER OR OTHER RADIO STATION EQUIPMENT.

FAILURE TO HEED THE ABOVE WARNING MAY PERMANENTLY DAMAGE THE RPC-2000. THEREFORE, **PLEASE** STUDY THIS CHAPTER WELL!!

2.1 Introduction

The RPC-2000 has only two connectors on the rear card bracket.

The 25-pin DB-25P connector (J8) is used for CHANNEL A. As configured from the factory, CHANNEL A is intended to be used with a high-performance external HF modem such as the HAL ST-8000. An optional 7910 I.C. modem (M2-RPC) is available for use on CHANNEL A in lieu of the external HF modem. Please contact your HAL dealer or HAL Communications Corp. directly for this option. Please note that for high-performance HF packet, an external modem is highly recommended. When the M2-RPC option is installed, CHANNEL A could certainly be used on HF but with lesser performance. Or, it could be used as a second separate packet channel on VHF.

The 9-pin DE-9S connector (J9) is used for CHANNEL B. CHANNEL B is primarily designed for use on VHF packet. The modem used for this channel is a 7910 I.C. modem.

All I/O connections to the RPC-2000 are made via the DB-25P connector (J8) or the DE-9S connector (J9) on the rear panel of the DS-3200 Radio Data Communications Terminal or IBM-compatible computer AFTER installation of the RPC-2000. ALL signals required for direct connection to your radio system(s) or an external HF modem are supplied on these connectors.

The DB-25P (J8) and DE-9S (J9) connectors abide by the standard RS-232C convention for I/O pin-outs, although not all pins are supported.

TABLE 2.
 RPC-2000 CHANNEL A
 DB-25P (J8) I/O CONNECTIONS

PIN	NAME	FUNCTION
1	GROUND	SIGNAL GROUND
2	TXD	TRANSMIT DATA
3	RXD	RECEIVE DATA
4	RTS	REQUEST TO SEND
5	CTS	CLEAR TO SEND
6*		
7	GROUND	SIGNAL GROUND
8	DCD	DATA CARRIER DETECT
9*		
10*		
11*		
12*		
13*		
14	TCA	TRANSMIT AUDIO CHANNEL A
15	ST	TRANSMIT TIMING (CLOCK)
16	RCA	RECEIVE AUDIO CHANNEL A
17	RT	RECEIVE TIMING (CLOCK)
18*		
19	APTT OUT	PTT OUTPUT CHANNEL A
20	DTR	DATA TERMINAL READY
21*		
22*		
23*		
24*		
25*		

* Denotes this pin unused

TABLE 3.
RPC-2000 CHANNEL A
DB-25P (J8) I/O RATINGS

PIN	NAME	MAXIMUM	FUNCTION
1	GND		SIGNAL GROUND
2	TXD	+/-12VDC	RS-232C SIGNAL (OUT)
3	RXD	+/-12VDC	RS-232C SIGNAL (IN)
4	RTS	+/-12VDC	RS-232C SIGNAL (OUT)
5	CTS	+/-12VDC	RS-232C SIGNAL (IN)
6*			
7	GND		SIGNAL GROUND
8	DCD	+/-12VDC	RS-232C SIGNAL (IN)
9*			
10*			
11*			
12*			
13*			
14	TCA	0 DBM	TRANSMIT AUDIO CHANNEL A (OUT) -30 DBM TYPICAL
15	ST	+/-12VDC	TRANSMIT TIMER
16	RCA	0 DBM	RECEIVE AUDIO CHANNEL A (IN) -30 DBM TYPICAL
17	RT	+/-12VDC	RECEIVE TIMER
18*			
19	APTT OUT	O.C.**	CHANNEL A PTT OUT
20	DTR	+/-12VDC	RS-232C SIGNAL (OUT)
21*			
22*			
23*			
24*			
25*			

* Denotes this pin unused

** Open collector transistor switch to ground (Type VN10KM)

TABLE 4.
RPC-2000 CHANNEL B
DE-9S (J9) I/O CONNECTIONS

PIN	NAME	FUNCTION
1	RCB	RECEIVE AUDIO CHANNEL B
2	GND	SIGNAL GROUND
3*		
4	BPTT OUT	CHANNEL B PTT OUTPUT
5*		
6*		
7	GND	SIGNAL GROUND
8	TCB	TRANSMIT AUDIO CHANNEL B
9	GND	SIGNAL GROUND

* Denotes this pin unused

TABLE 5.
RPC-2000 CHANNEL B
DE-9S (J9) I/O RATINGS

PIN	NAME	MAXIMUM	FUNCTION
1	RCB	0 DBM	RECEIVE AUDIO CHANNEL B (IN) -30 DBM TYPICAL
2	GND		SIGNAL GROUND
3*			
4	BPTT OUT	O.C.**	CHANNEL B PTT OUT
5*			
6*			
7	GND		SIGNAL GROUND
8	TCB	0 DBM	TRANSMIT AUDIO CHANNEL B (OUT) -30 DBM TYPICAL
9	GND		SIGNAL GROUND

* Denotes this pin unused

** Open collector transistor switch to ground (Type VN10KM)

 IMPORTANT NOTICE: AVOID SHORTING ANY OF THE RS-232C I/O LEVELS ON EITHER THE DB-25P OR DE-9S CONNECTORS. TO DO SO, COULD RESULT IN DAMAGE TO THE RPC-2000 OR THE SWITCHING POWER SUPPLY OF THE DS-3200 OR IBM-COMPATIBLE COMPUTER.

2.2 RPC-2000 Channel A Connector Pin-Out

Figure 3 below shows the Channel A signal definition on the DB-25P connector (J8).

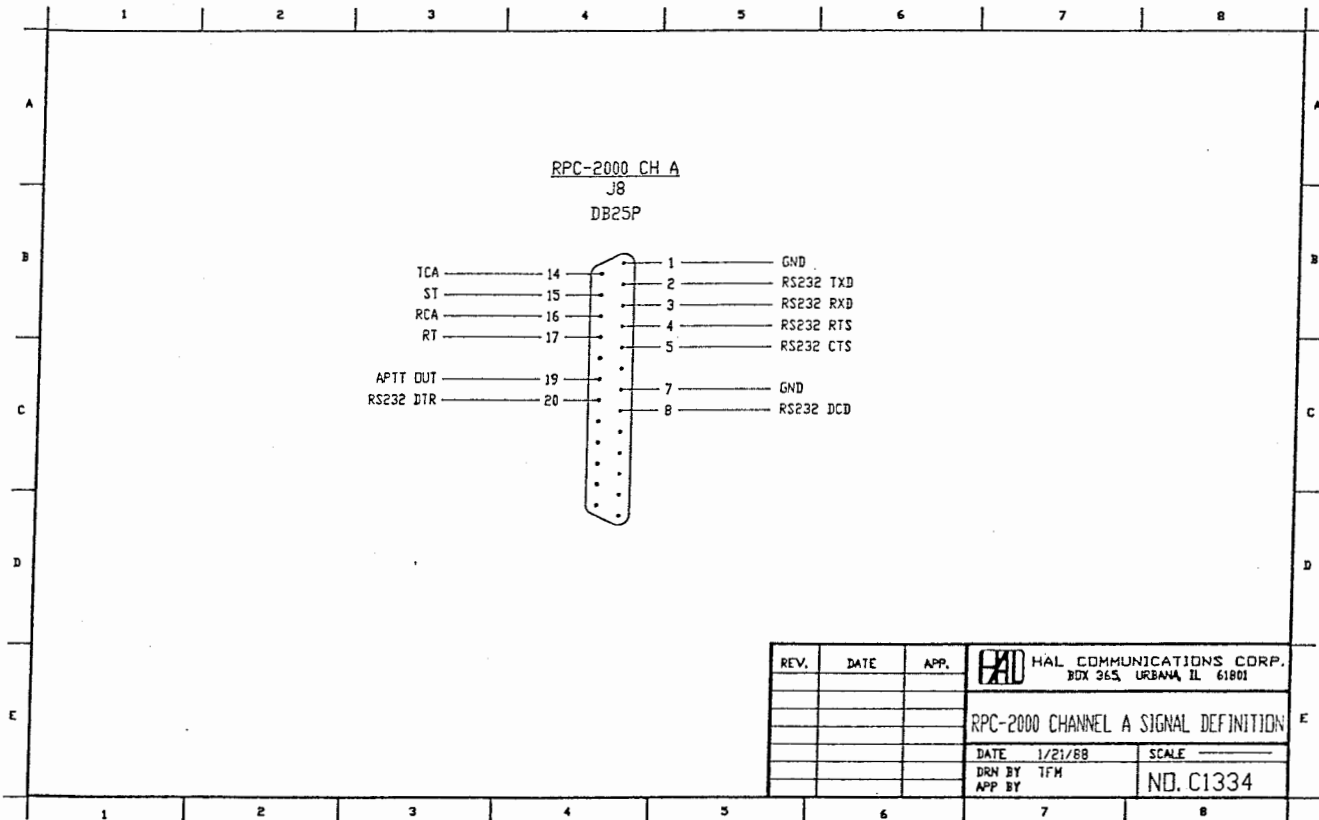


FIGURE 3. RPC-2000 CHANNEL A CONNECTOR PIN-OUT

2.3 RPC-2000 Channel B Connector Pin-Out

Figure 4 below shows the Channel B signal definition on the DE-9S connector (J9).

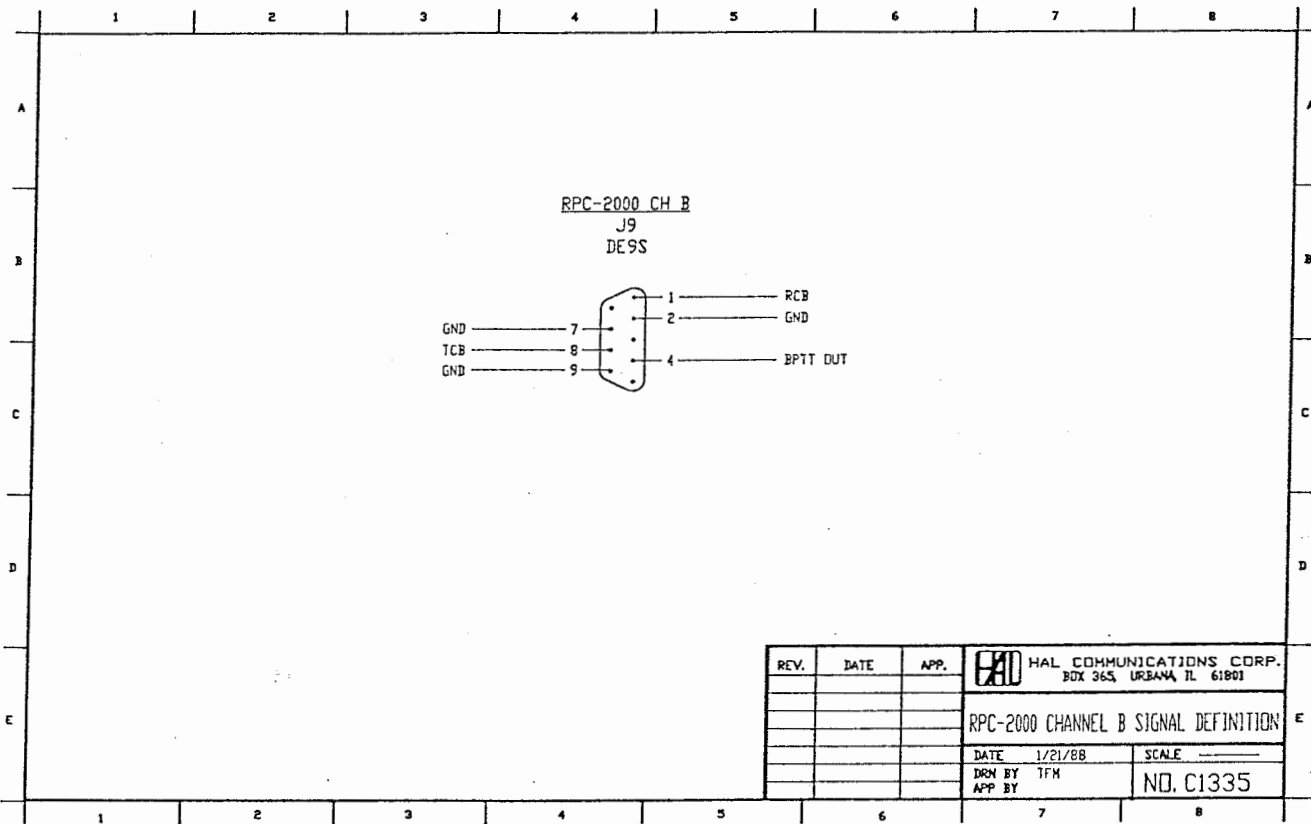


FIGURE 4. RPC-2000 CHANNEL B CONNECTOR PIN-OUT

2.4 Connecting the RPC-2000 to Your Radio Equipment

It is HIGHLY recommend that ALL cables between the RPC-2000 and your radio equipment be shielded. Also, a separate LOW-INDUCTANCE RF ground should be connected between the DS-3200 or IBM-compatible computer and the radio equipment. The shield braid from RG-8 or RG-213 coaxial cable serves this function quite well. Do NOT use small gauge wire for RF grounding purposes, as the wire will act as an antenna at normal HF operating frequencies.

Make up your interface cables with the highest-quality shielded cable you can afford -- AND make them as short as possible. Do not have an excess length connecting the RPC-2000 and your radio station equipment.

Also, use shielded connector shells for the DB-25 and DE-9 connectors.

2.4.1 Connecting Channel A to an External HF Modem

The RPC-2000 Channel A DB-25P connector (J8) may be connected to an external HF modem for higher-performance packet radio operation on the HF bands. Your modem of choice should be capable of running at a data rate of 300 BPS for HF packet operation. The modem should also have tunable shift and tones for ease of use.

The HAL ST-8000 HF Modem meets all of the above requirements. You may also have access to other high-performance HF modems which may meet this requirement. Nevertheless, using a true HF modem on the front end of the RPC-2000 will make HF packet operation much more reliable.

Figure 5 describes the cable interface from the DB-25P connector (J8) on the RPC-2000 to the Terminal Data connector on the ST-8000.

The ST-8000 operationally should be set as follows to permit operation with the RPC-2000 for HF packet:

- A. Set the INPUT baud rate to 300 baud (BPS) on the front panel.
- B. Set the DETECTOR MODE to AM mode M/S position.
- C. Switch ANTISPACE to OFF.
- D. Make sure REGEN is OFF.
- E. Set the PRINT SQUELCH to the threshold point.

- F. Make sure that the POLARITY switch is in the NORMAL position.
- G. The presently accepted SHIFT for packet operation on HF is 200 Hz. Please refer to the paragraph below regarding TONE SETS.

Presently, no "standard" tone set has emerged for HF packet operation. Instead, there appears to be as many as four (4) different tone sets being used on HF packet at the present time. The only consistent factor among these four (4) tone sets is the use of the CENTER FREQUENCY to specify the tones.

Listed in TABLE 6 below are the typical tone sets in use on HF packet.

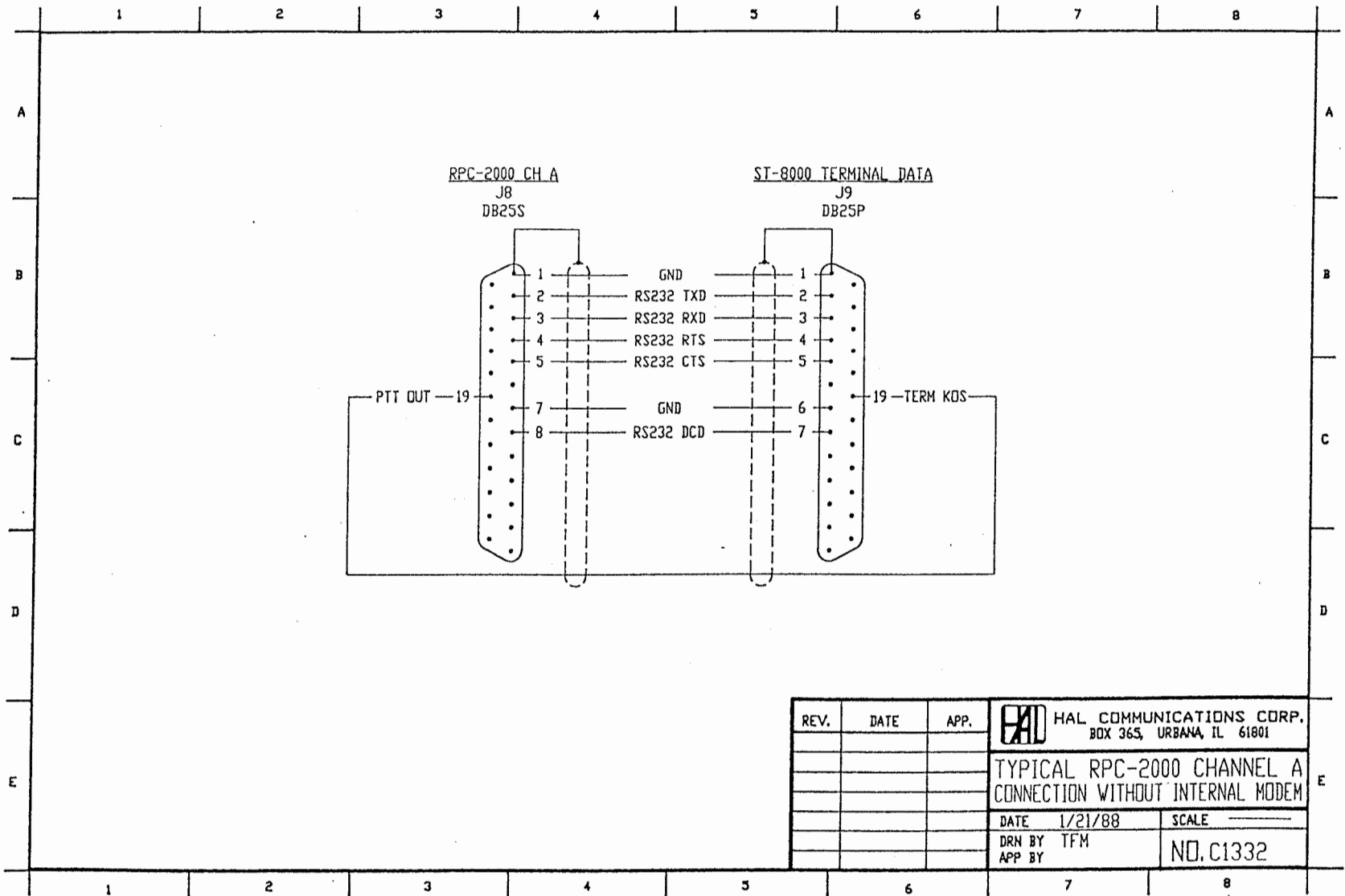
TABLE 6.
TYPICAL HF PACKET TONE SETS

MARK	SPACE	CENTER FREQUENCY (Hz)
1600 Hz	1800 Hz	1700
2000 Hz	2200 Hz	2100
2025 Hz	2225 Hz	2125
2110 Hz	2310 Hz	2210

Therefore, please select the TONE SET of your choice. Set the tone frequencies on the ST-8000 with the MAIN TUNING KNOB.

PLEASE REMEMBER TO USE SHIELDED CABLE FOR INTERFACING THE RPC-2000 TO THE ST-8000 HF MODEM.

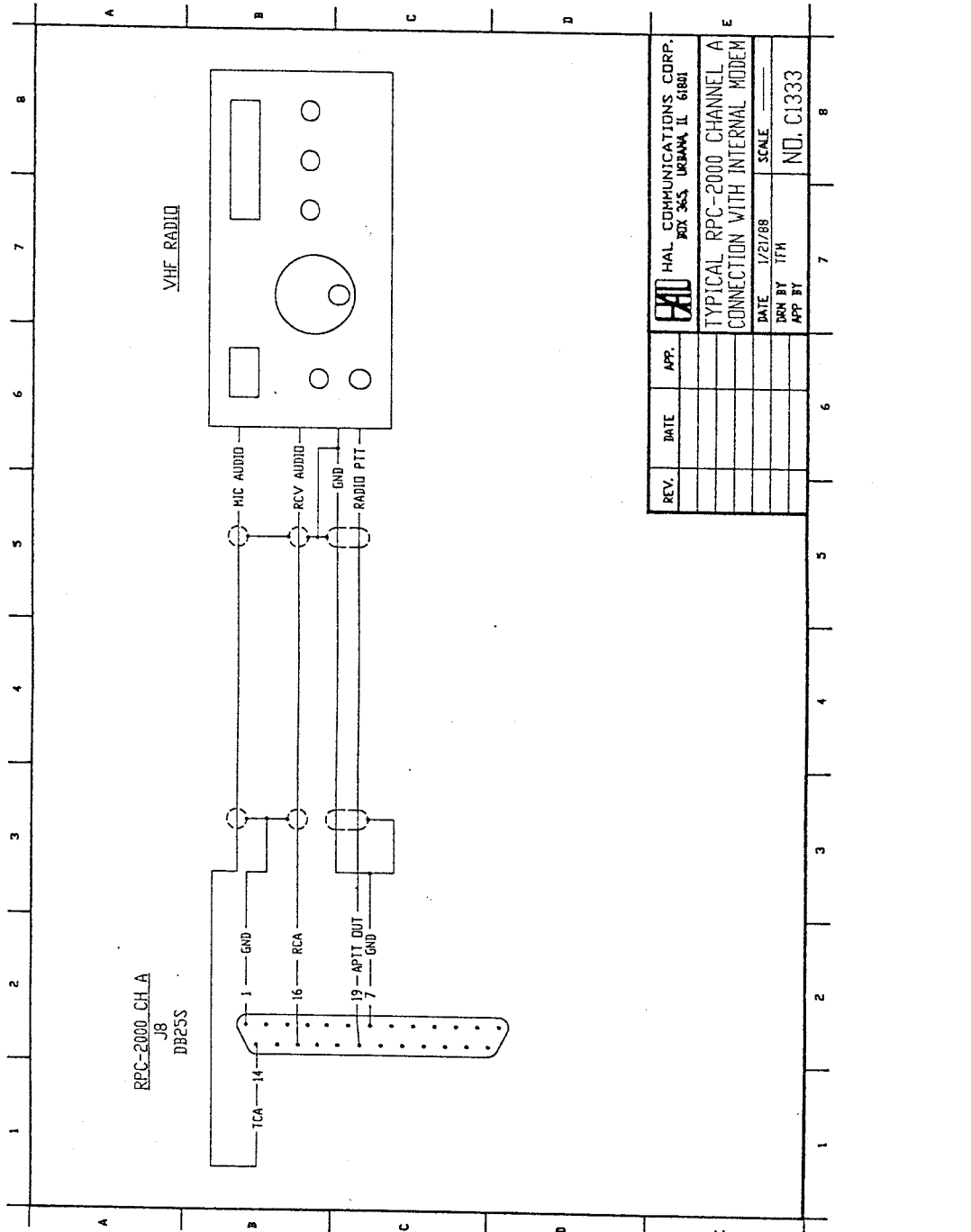
FIGURE 5. RPC-2000 CHANNEL A CONNECTIONS TO THE ST-8000



REV.	DATE	APP.	HAL COMMUNICATIONS CORP. BOX 365, URBANA, IL 61801	
			TYPICAL RPC-2000 CHANNEL A CONNECTION WITHOUT INTERNAL MODEM	
			DATE 1/21/88	SCALE _____
			DRN BY TFM	NO. C1332
			APP BY	

2.4.2 Connecting Channel A to a VHF Radio with M2-RPC Option Installed

If you have purchased the M2-RPC Option for the RPC-2000, you may connect Channel A to a VHF radio for packet operation. Of course, you could also connect Channel A to your HF transceiver for HF packet operation. This configuration for HF operation would provide lesser performance than with the external HF modem.



REV.	DATE	APP.	HAL COMMUNICATIONS CORP. BOX 365, URBANA, IL 61801
TYPICAL RPC-2000 CHANNEL A CONNECTION WITH INTERNAL MODEM			
DATE	1/21/88	SCALE	
DWN BY	TFH		
APP BY			NO. C1333

FIGURE 6. RPC-2000 CHANNEL A (M2-RPC INSTALLED) TO A VHF RADIO

2.4.3 Connecting Channel B to a VHF Radio

The RPC-2000 Channel B DE-9S connector (J9) is primarily designed to connect to a VHF transceiver.

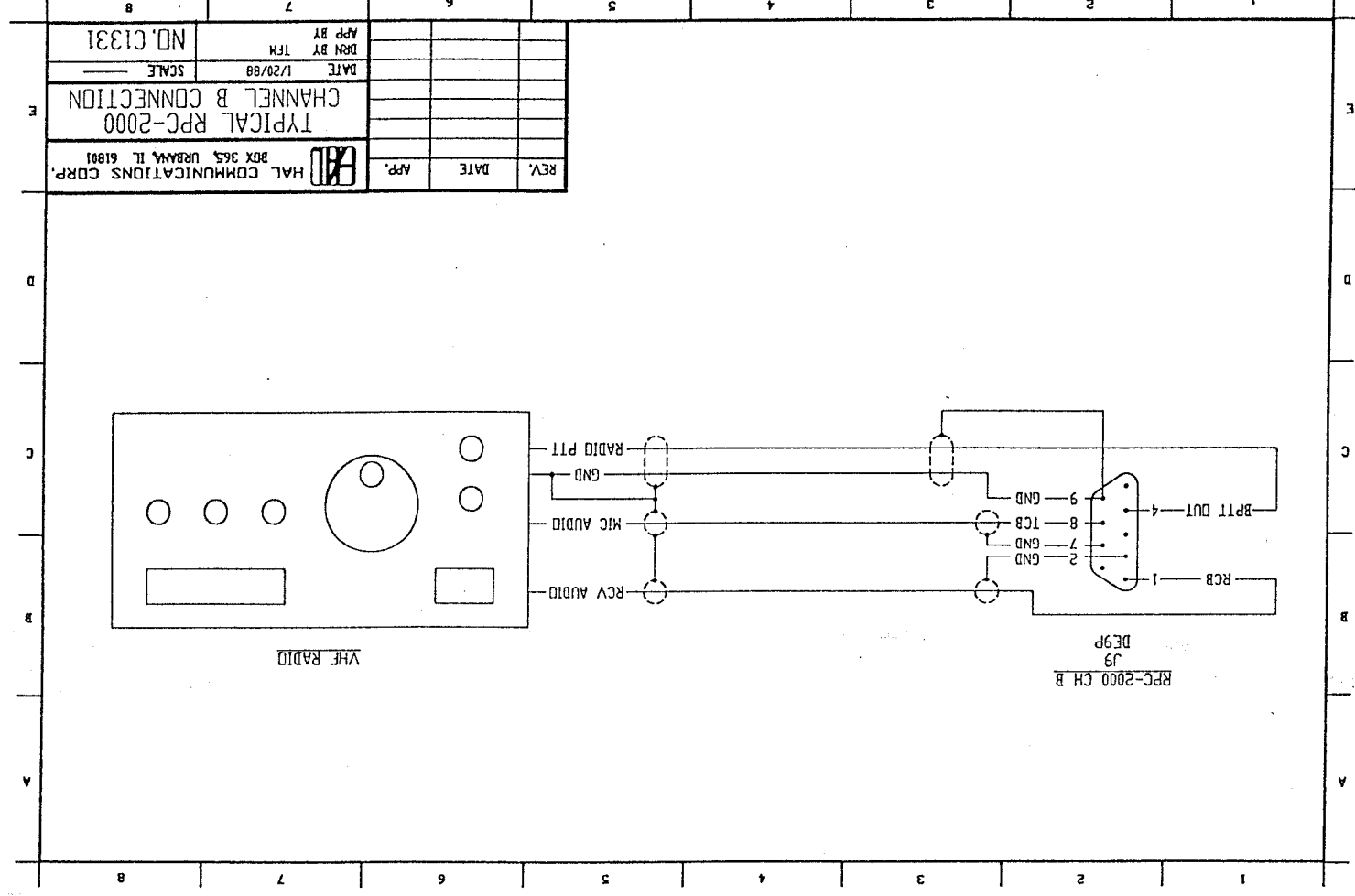


FIGURE 7. RPC-2000 CHANNEL B CONNECTIONS TO A VHF RADIO

2.5 Radio Equipment Connector Pin-Outs

Please refer to your radio equipment instruction manual for correct pin-out for the push-to-talk (PTT) and audio lines. Also, please check on the TYPE of connector used at the radio. Most often these connectors are either of the 4-pin mic, 6-pin mic, 8-pin mic, 12-pin mic, or RCA phono jack type of connectors.

AGAIN, please use shielded wire for all of the RPC-2000 interfacing, including the wiring to a VHF radio system. It is possible that audio hum will occur if unshielded wire is used.

CHAPTER 3 OPERATION

This section of the manual discusses how to use the software supplied with the RPC2000. The RPC-2000 is very easy to use because of its structure. The two main modes of operation are Command mode and Converse mode. The Command mode is arranged as a command tree so that the operator does not have to remember each of the individual commands. An expert user function allows the operator to simply type in the first letter of branch commands. This will save time as the user becomes more familiar with operation of the RPC-2000. Help pages are always available to assist the operator as well. The Converse mode displays actual communications. We shall first cover how to load the software and then proceed to the command tree and actual operation. Operation examples are given to help acquaint the inexperienced packet operator with the system.

3.1 Loading the Software

A few easy steps are required to start the RPC-2000. These steps are much the same as you would perform for any other program and will become very familiar after some practice. Be sure that you have followed the instructions in Section 1.5 of this manual and have the DOS system files on the copied RPC-2000 diskette. The software is loaded like any other PC program by typing the EXE filename "PACKIT". The steps for booting the software are outlined in Table 7.

TABLE 7
BOOTING THE SOFTWARE

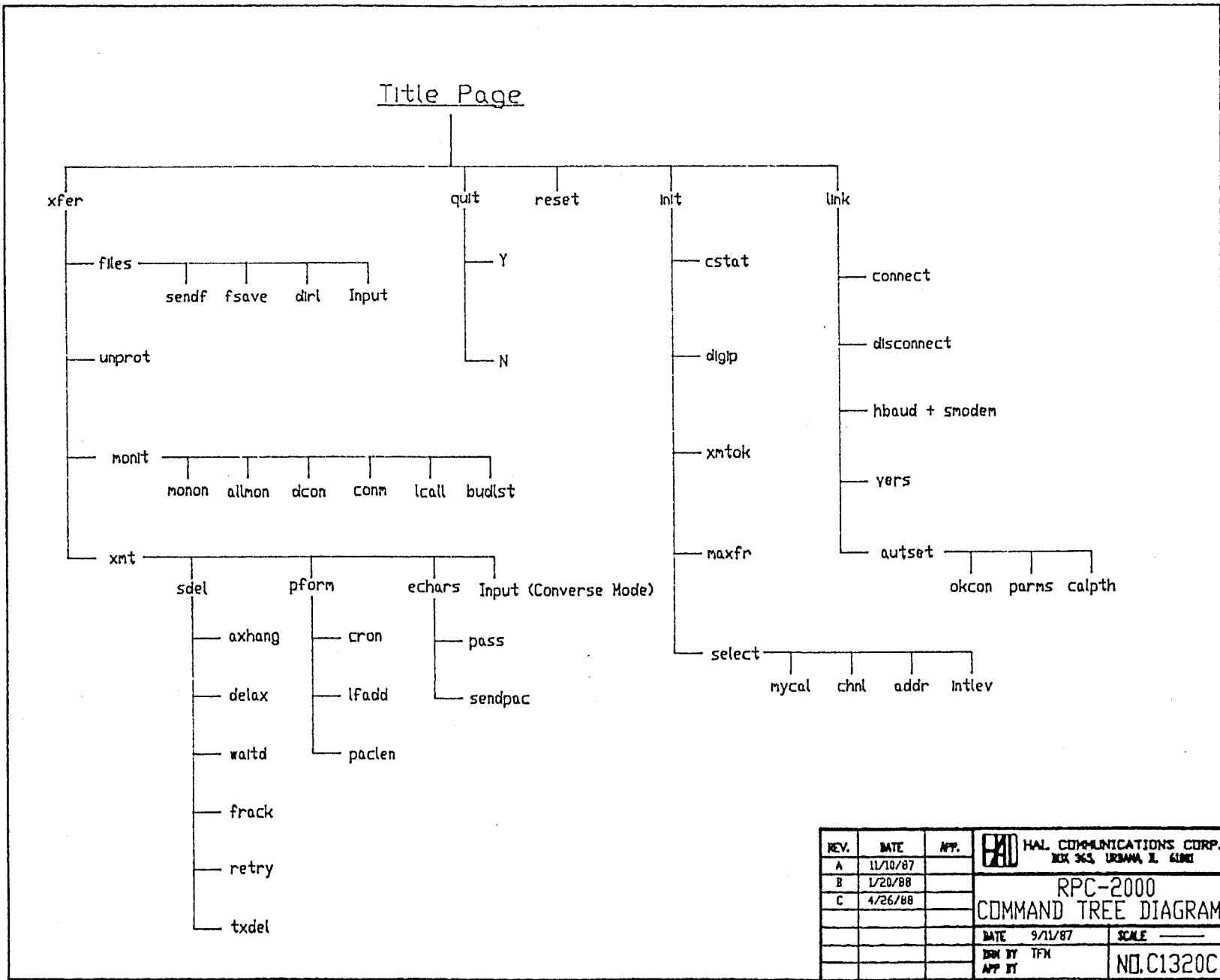
1. With the PC power turned OFF, install the RPC-2000 circuit board in the computer as discussed in Chapter 2.
2. Insert the RPC-2000 software diskette in disk drive "A" (top or left-hand drive in most machines). Have you made back-up copies? If not, do it NOW and use the copy! DON'T close the door lever until after power is turned on.
3. Turn on the PC power switch.
4. After the computer power is on, close the drive door lever.
5. After the PC memory check is completed, the disk light will come on and the screen will request the time. Enter the time in the normal format (hr:min:sec). Then enter date as requested (mo-day-yr).
6. Type the filename "Packit". After a short delay while the program is being loaded, the title page will be displayed. Note that a version number is displayed on this page. Write down this version number for future reference. The PC Packet program also requires that a configuration file be present on the disk. If this is the first time that you are booting the program, it will create the configuration file automatically. The program also checks to see which interrupt level is available for use on your PC for the packet system. It selects the interrupt level and indicates on the screen which level has been selected. During all of these initial operations, the program keeps you informed of what it is doing. If you have a problem, pay particular attention to what the messages say and make a record of them, as they will assist the in locating the problem.
7. When all of the startup procedures are complete, the main command level will be displayed on the screen.

3.2 The Command Tree

The RPC-2000 program presents a command tree through which you select all modes of operation and parameters. A diagram of the command tree is shown in Figure 8. Presented below are the definitions of the commands in the order that they appear on the screen as you work through the command tree. It is recommended that you read through these as an introduction to the structure of the RPC-2000 and refer back to this section as needed for clarification of any commands which you do not understand.

NOTE: TO CHOOSE A COMMAND FROM THE COMMAND TREE, EITHER MOVE THE SELECTOR BLOCK TO THE COMMAND WITH THE ARROW KEYS AND TYPE "CR" (CARRIAGE RETURN) OR SIMPLY TYPE THE FIRST LETTER OF THE COMMAND YOU WANT. THE ABILITY TO SIMPLY TYPE THE FIRST LETTER WILL SPEED UP OPERATION AS YOU GAIN EXPERIENCE WITH THE RPC-2000.

FIGURE 8. THE COMMAND TREE



REV.	DATE	APP.	HAL COMMUNICATIONS CORP. BOX 365, URBANA, IL 61801	
A	11/10/87		RPC-2000 COMMAND TREE DIAGRAM	
B	1/20/88			
C	4/26/88			
			DATE 9/11/87	SCALE
			DRN BY TFM	NO. C1320C
			APP BY	

The Main command level is displayed on the screen after booting the software. The commands available at this level are:

link xfer init reset quit

Link - Link status commands: Control the status of the link and set/access main communication parameters. Link commands are:

cncnt disc hbaud vers autset

Cncnt - Connect to the station whose call is entered. A call can be any letters, numbers, or combinations of both up to 6 characters long. A substation may be selected by typing a dash and the substation number after the call. Up to 15 substations are allowed for any callsign. The main station is always assigned the suffix "-0" to indicate that it is the primary station for that callsign. F1 through F10 callpaths may be used. If it is desired to operate through a digipeater, or through several digipeaters, the proper format for entry of the callsigns is: XXXX via YYYY,ZZZZ-3,ABCD,EFGH-12. The destination call comes first, followed by a space, the word "via" and another space. Then comes the call of the first digipeater station, a comma, and the call of the second digipeater, etc.

Disc - Disconnect from the current link. (May also use Alt-D at any time in the RPC-2000 program.)

Hbaud - Select the data transfer rate (45 to 9600 baud) by incrementing with the space bar; then select a valid modem standard for that baud rate. The available modem standards are:

For 45-300 baud:

Bell 103 H (2025Hz/2225Hz - 200Hz shift) DEFAULT
 Bell 103 L (1070Hz/1270Hz - 200Hz shift)
 V.21 High (1650Hz/1850Hz - 200Hz shift)
 V.21 Low (980Hz/1180Hz - 200Hz shift)
 V.23 M 1 (1300Hz/1700Hz - 400Hz shift)
 V.23 M 2 (1300Hz/2100Hz - 800Hz shift)
 Bell 202 (1200Hz/2200Hz -1000Hz shift)

For 600 baud:

Bell 202 (1200Hz/2200Hz -1000Hz shift) DEFAULT
 V.23 M 1 (1300Hz/1700Hz - 400Hz shift)
 V.23 M 2 (1300Hz/2100Hz - 800Hz shift)

For 1200 baud

Bell 202 (1200Hz/2200Hz -1000Hz shift) DEFAULT
 V.23 M 2 (1300Hz/2100Hz - 800Hz shift)

Vers - Select the current version of AX.25 protocol to use. Versions available are 1.0 and 2.0. If version 2.0 is selected, then the RPC-2000 will also communicate with a station which calls using Version 1.0, however, all outgoing connects will use version 2.0 protocol. If Version 1.0 is chosen, then the RPC-2000 will only communicate with stations using AX.25 Version 1.0 protocol.

Autset - Set automatic type variables. Autoset commands are:
okcon parms calpth

Okcon - Toggle auto connect enable: When ON allows the RPC-2000 to automatically connect to a calling station. When OFF, no one may connect with this RPC-2000. Toggle ON and OFF with space bar.

Parms - Read or write configuration file (parameters). R causes RPC-2000 to read the stored configuration file, and W stores the currently set parameters to the configuration file.

Calpth - Display the current callpath settings (F1-F10); after the display of all callpaths is shown, you may change any one of them by typing the function key for that callpath. The RPC-2000 then allows you to select the callpath (including up to 8 "digipeaters"), the channel, baud rate, and the desired modem configuration for that callpath. The ESC key sets the configuration for that callpath to the current system configuration.

Xfer - Select more transfer commands & levels. Xfer commands are:
xmit monit files unprot

Xmit - Transmit commands and levels. The xmit commands are:
Input sdel pform echars

Input - Change to I/O mode. This command allows you to branch from the command tree into the Converse mode. It performs the same function as the F2 key.

Sdel - Set system delays. The Sdel commands are:
axhang delax waitd frack
retry txdel

Axhang - Set the hang time delay in 100 ms intervals from 0 to 20. If the RPC-2000 has heard packets transmitted on the channel in the most recent Axhang period, then it will not wait the additional Delax time between keying the transmitter and sending data. This is most useful in repeater operations where the repeater stays up a certain hang time after the last transmission. Packet channel efficiency is increased by not waiting for the additional Delax time before sending. Default Axhang time is 0.

Delax - Set any additional transmitter delay in 10 ms intervals from 0 to 180. This delay is typically included to allow for delays in repeater operations. Once the PTT line of the transmitter is actuated, the RPC-2000 will wait Txdel plus Delax UNLESS the Axhang time has not been exceeded since the last activity on the channel. In this case, the RPC-2000 only waits TXdel before sending. Default Delax is 0.

Waitd - Set the default wait time in 10 ms intervals from 0 to 250. This is the amount of time which the RPC-2000 waits to send after the end of the last activity on the channel. Waitd is designed to avoid the situation of packets from different stations colliding on the channel. Default Waitd is 100 (times 10ms, or 1 second).

Frack - Set the frame acknowledge delay time in 1 second intervals from 1 to 15. This is the amount of time that the RPC-2000 waits for an acknowledgement of a frame before it sends the frame again. Default Frack is 6 seconds.

Retry - Set the maximum number of retrys before stopping from 0 to 15 times. If the RPC-2000 does not receive an acknowledgement for a frame in Frack seconds, it sends the frame again. This is repeated Retry times before timing out. Default Retry setting is 4.

Txdel - Set the normal transmitter delay in 10 ms intervals from 0 to 120. This is the delay time between actuating the PTT line of the transmitter and the beginning of the transmit data stream from the RPC-2000. It is designed to allow a transceiver to switch modes from receive to transmit. Default Txdel is 40 (times 10ms, or 400ms).

Pform - Packet format setting commands. These are:
cron lfadd paclen

Cron - Allow the sendpac character to be sent if ON. Do not send the sendpac character at the end of a packet if OFF. Toggle between OFF and ON with the space bar. "CR" is used in the command name because CR is the most often used sendpac character. Default is ON.

Lfadd - Append each CR in a packet with LF if this option is ON. Toggle between OFF and ON with the space bar. In some instances, it is desirable to send linefeeds with each CR (carriage return) character to allow for a receiving terminal at the other end of the link which only goes to a new line when it sees the LF character. Default is OFF.

Paclen - Set the maximum number of characters per packet from 1 to 256. If the RPC-2000 does not see a Sendpack character before reaching Paclen characters to be sent, the packet is ended at Paclen characters. Any further characters will be in the next packet. Default Paclen is 256.

Echars - Set the edit characters. The options are:
pass senpac

Pass - Select the pass character (from 00 to 7F hex). If there are control characters which are used in the program and are not normally allowed to pass as data (ALT-D, for example) they may be preceded with the pass character and this will allow them to be passed through as data. The Default Pass character is 16 hex (Ctrl-V, or SYN character).

Senpac - Select the sendpacket character (from 00 to 7F hex). This is the character that, when typed, will cause the packet to be sent. The Default Senpac character is 0D hex (CR).

Monit - Set monitor variables. The commands are:
monon allmon dcon conm lcall
budlst

Monon - Select the ability to monitor frames ON or OFF by toggling with the space bar. When Monon is OFF only the connect data is displayed. When Monon is ON, the other monitor features selected below are active. The Default setting is ON.

Allmon - Set the ability to display connected packets ON or OFF. When OFF, only unconnected packets are displayed. When ON, both connected and unconnected packets are displayed. This is most useful when you only want to monitor packets not routed to a specific station. For instance, three stations may carry on a discussion by sending to a default unprotocol address such as CQ. If they have this parameter set to OFF, they will not copy traffic between two other stations which are connected. The Allmon Default setting is ON.

Dcon - Select the display of control frames while monitoring. The options are Super, Off, and Normal. Toggle through the modes with the space bar. Super mode displays all control frames as well as data frames. Off displays no control frames. Normal displays all control frames except supervisory frames (RR, RNR, and REJ frames as defined by AX.25). Operation will be slowed if Super is selected. The Default mode is Normal.

Conn - Select the monitoring of other packets while connected, ON or OFF. When ON, you will display other packets as well as those from the station to which you are connected. When OFF, you will only display packets from the station to which you are connected while you are connected. Default is ON.

Lcall - Enter call list. This is a list of callsigns for selective monitoring. It is used by the next command - Budlst - to monitor ONLY these calls or to EXCLUDE these calls. The Default is All, which is a special entry that includes ANY call. The other special entry available is None which will exclude any call.

Budlst - Ignore or display packets from stations in the call list. The Default is DISPLAY.

Files - File transfer commands. The commands are:

sendf	fsave	dirl	input
-------	-------	------	-------

Sendf - Send a file. Enter the name of the file and follow with a CR to begin sending. Stop sending by re-entering sendf and answering Y to cancel sending. The name of the file may contain the path for location of the file as well, i.e., B:\root\dir\file.ext.

Fsave - Save data to a file by entering the filename, the disk write time, and selecting whether saving of transmit data is ON or OFF. The received data is stored to disk under the filename, and the filename may contain the complete path name, i.e., A:\root\dir\file.ext. Transmit data is or is not stored according to the setting of the parameter. Data is saved to disk at the end of the disk write time to prevent all data from being lost if a system failure occurs during reception of a long file. Stop saving by re-entering fsave and answering Y.

Dirl - List the current directory.

Input - Change to Converse mode. (Same as F2 key.)

Unprot - Select the default destination callsign, if no other call has been entered through the Link command level. Simply type in the callsign and CR. For example, if you enter the Converse mode with Xmtok ON and begin typing, this data will be sent to the Unprot callsign. The Unprot callsign is, therefore the address to which packets are sent when you are not connected. These packets require no acknowledgement. The Default Unprot address is CQ.

Init - These are the initialization commands. They are:
 cstat digip xmtok maxfr select

Cstat - Display the current state. The 16 States as defined by AX.25 protocol are:

S1 - Disconnected	S11- Waiting Acknowledge and Device Busy
S2 - Link Setup	S12- Waiting Acknowledge and Remote Busy
S3 - Frame Reject	S13- Waiting Acknowledge Both Devices Busy
S4 - Disconnect Request	S14- REJ Sent & Device Busy
S5 - Information Transfer	S15- REJ Sent & Remote Busy
S6 - REJ Frame Sent	S16- REJ Sent & Both Devices Busy
S7 - Waiting Acknowledge	
S8 - Device Busy	
S9 - Remote Device Busy	
S10- Both Devices Busy	

Digip - Select the ability of this station to function as a digipeater. Toggle ON or OFF with the space bar. When ON, this station can be used as a relay point for other stations. When OFF it cannot. Default setting is ON.

Xmtok - Toggle transmit enable ON or OFF with the space bar. If you do not wish for this station to be able to transmit for some reason, this feature should be set to OFF. If ON, any time you enter the Converse mode and begin typing characters, they will be sent as packets to the Unprot address, unless you are connected with another station. The Default setting is ON.

Maxfr - Set the maximum number of outstanding frames that this station will allow (from 0 to 7). This figure determines the maximum number of packets which can be sent without receiving an acknowledge. The Default setting is 3.

Select - Select the permanent type parameters. These are:
 mycal chanl addr intlev

Mycal - Select this device's station call. The call follows the same rules as a connect call. It can be up to 6 characters in length and can be a sub-station by adding a dash and a number from 1 to 15 as a suffix. The main station for this call is automatically assigned the suffix "-0" if no other suffix is added.

Chan1 - Select either channel A or B. Channel B is the standard internal modem. Channel A is for use with an external modem or for the optional second internal modem channel if installed. The Default case is channel B.

Addr - Select the hardware base address S1 or S2. PC systems typically allow two synchronous port addresses called S1 (address 03A0 hex) and S2 (address 0380 hex). Choose S1 or S2 so as not to conflict with any other synchronous communications device installed in the PC. The Default is S1.

Intlev - Choose the interrupt level for this device. The choices are level 2, 3, or 4. Use level 3 or 4 on an AT-type machine. The default setting is level 2, which may be changed by moving the board jumper as described in Chapter 1.

Reset - When selected, reset clears transmit and receive buffers, closes any open files, and resets the protocol to the default parameters.

Quit - When selected, allows you to exit the RPC-2000 program if you select Y at the prompt. If you select N, the program returns you to the main command level.

3.3 Operating the RPC-2000

The command tree makes operation of the RPC-2000 very simple, even for the novice user. Still, there are certain things which should be carefully set before trying to set up communications with another station. HELP IS AVAILABLE BY TYPING THE F1 KEY OR BY TYPING ALT-H. The Help page gives special key operations which may be used in the present mode. Special key operations which are common to all modes include:

F1 or Alt-H	- Display Help Page
F2	- Toggle Command/Converse Mode
Alt-R	- Quick Reset
Alt-D	- Send a Disconnect
Alt-S	- Show the Status Page
ESC	- Backup command
Enter	- Forward command (to select a displayed command)

Other special key operations are specific to the mode you are in.

3.3.1 Initial Setup

To begin, first set the permanent type parameters of the RPC-2000 system by either moving the selector block to init and typing CR or by simply typing "i" for init. Once the initialization commands are displayed, choose "select" by either moving the block followed by CR, or by typing "s". The RPC responds with the Select level commands:

mycal chanl addr intlev

Select Mycal. When prompted to do so, type in the callsign of your station. The callsign can be up to 6 letters, numbers, or a combination of the two. Up to 15 substations are allowed per callsign by the RPC-2000. This means that actually 16 different packet controllers may use the same callsign with each having a distinct substation number. The main station always has the suffix "-0" to indicate that it is not a substation. Substations use the suffixes "-1" through "-15" as desired. The call should be typed in with no spaces; and if a substation, a dash followed by the substation number (1-15, with no leading zeros). If you do not assign a substation number, the RPC assumes that you are the main station for that call and automatically assigns "-0" as the suffix. Enter a "CR" to end the call and set Mycall in memory.

Select Chanl. If you are using the internal modem, select channel B. If you are using an external modem, or if you wish to use the optional second internal modem (if installed), select channel A. You may toggle between channel A and B by pressing the space bar. Once you have made your selection, enter a "CR" to set that selection in memory.

Select Addr. Choose either Synchronous port assignment S1 or S2, keeping in mind that you may have other devices installed in your system which may use one of these ports. You may toggle between S1 and S2 with the space bar.

Select Intlev. Set the interrupt level for your RPC-2000 for use in your system. Do not use level 2 in an AT-type machine. Do not use level 3 or 4 in an XT-type machine (or in the DS3200). After selecting the interrupt level, enter a "CR".

The permanent parameters are now set and should be stored to disk as described below:

Return to the main command level with the "ESC" key.
Select Link.
Select Autset.
Select Parms.
Type "w" to write parameters to disk.

3.3.2 Linking Directly With Another Station

If your station is set up for operation and the permanent parameters are programmed as described in Section 3.3.1, you are now ready to try a link with another station. Most of the other setup commands of the RPC-2000 can be left in their default state as set at the factory until you gain more experience and wish to change them.

Return to the main command level with the "ESC" key. Select the Link command. If you DO NOT wish to communicate at the factory default setting of 1200 baud, Bell 202 modem tones, then change the data rate and modem setting by selecting Hbaud from the Link command level. After you have selected the appropriate data rate and modem information, return to the Link command level with the "ESC" key.

From the Link command level, select Connect. The RPC-2000 will now give you instructions for entering callsigns and repeater calls. If you are going to call a single station which is within radio range, you simply type in the callsign of that station (which can be up to six letters and numbers, followed by a substation number if desired).

Example: We wish to call station XXXX.

After setting Hbaud parameters, return to Link level commands with the ESC key. Choose Connect. Enter the callsign XXXX. When you are ready to connect, type a "CR" (carriage return) and the RPC-2000 will attempt to connect to station XXXX. Once the connection has been made, the message "Connected to XXXX" will appear on the status line at the bottom of the screen and the program will switch to the converse mode. You may stop the call by typing Alt-D at any time or by selecting the Disconnect command from the command tree.

3.3.3 Linking Through "Digipeaters"

You may wish to link to another station using a relay point or "digipeater" in order to reach the destination station. A "digipeater" is another packet controller which is set to allow itself to be used as a relay point. Using specific relay points will involve telling the RPC-2000 how to make the call. From the Link command level select Connect. The RPC-2000 now gives you instructions for entering the callsign and digipeater calls.

Example: We wish to call station XXXX using digipeater stations YYYY and ZZZZ-3, in that order, as they provide the radio path to station XXXX. After setting Hbaud parameters, go to the Link level using the ESC key. Choose Connect. Enter the destination callsign, a space, "via", another space, and the digipeater callsigns in the order that they will be used.

Separate the digipeater calls with commas. The entry should be made like this: XXXX via YYYY,ZZZZ-3

If you make a mistake in entry and the sequence is not correct, type the ESC key. If the sequence is correct, type a CR and the RPC-2000 will begin to transmit the link attempt to station XXXX through the selected digipeaters. You may stop the call by typing ALT-D (for disconnect). If the link is made, the RPC-2000 reverts to Converse mode and indicates that the you are linked with the station.

3.3.4 The Callpath Command

Callpath allow you to store commonly used destination callsigns, relay stations used, the channel used (A or B), and the modem standard desired for this callpath. To store a call sequence in Calpath, return to the Link command level and select Autset. Then select Calpath. Callpath sequences F1 through F10 will be displayed on the screen. Select the callpath you want to program by typing one of the function keys (F1-F10). Enter the call sequence exactly as you would from the Connect command and end it with a CR. Then select the channel for this call, the baud rate desired, and the modem standard to be used. (You may choose to set the channel, baud rate, and modem standard as set in the default parameters. In this case simply type the ESC key when it is time to select a channel and the parameters for the callpath being set will duplicate those of the default settings.) You may toggle between the various options for these parameters using the space bar. When the parameter is set for the desired option, simply type a CR to enter that option as part of the callpath information. After typing the CR at the end of the modem standard parameter, the callpath entry will be complete and you may exit from Calpath with the ESC key. If you realize that you made a mistake in entry, simply re-enter Autset and Calpath, and choose the same callpath again. You may now correct your mistake.

After you have determined that you will be using a specific callpath often, you will want to store it to disk for later use. Simply select the Parms command and respond with "W" to write parameters to disk. CAUTION: Be sure that other settable parameters are programmed the way you want them to boot up from the disk, because Parms stores all settable parameters to disk!

Example: We decide that the call sequence used in Section 3.3.3 will be used often and that it should be programmed as one callpaths. Return to the Link commands with ESC. Select Autset and Calpath. Callpaths F1 through F10 are displayed. Select the function key F1. Now enter the call sequence in the same order as in Section 3.3.3: XXXX via YYYY,ZZZZ-3 followed by a CR. Once the call has been entered, we want to select channel B in order to use the internal modem. Toggle the modem options with the space bar until B is displayed. Enter a CR and the selection moves on to baud rate. We wish

to run 1200 baud, so toggle the baud rate options with the space bar until 1200 is displayed. Set 1200 with a CR. We wish to use the Bell 202 modem standard, so toggle the modem options with the space bar until Bell 202 is displayed. Now enter a last CR and the programming of the callpath is complete. Store the callpath to disk with the Pargs command using the "W" option to write to disk. Be sure that all settable parameters are programmed the way you want them to boot up from the disk!

3.3.5 Operation Using Repeaters

Repeaters are very useful in extending the range of packet radio communications from your station. There are special considerations which should be taken into account, especially when operating through repeaters designed for voice operation. Voice operation repeaters are usually designed to stay active for a short time after the last transmission ends. This "hang" time should be taken into account when setting up the RPC-2000 for repeater use. The Axhang delay is designed to accommodate the hang time of repeaters in the packet system. If the RPC-2000 hears channel activity within the last Axhang amount of time before it is ready to send, it does not include any extra delay for bringing up the repeater.

The extra delay is Delax and is inserted if no activity was heard on the channel within the last Axhang amount of time. The total amount of time between actuating the PTT circuit and the sending of data is, therefore, Txdel plus Delax, IF no activity has been heard within the most recent Axhang amount of time.

The settings of Axhang and Delax will depend on the specific parameters of the repeater you will be using.

CHAPTER 4 USER ADJUSTMENTS

The RPC-2000 Radio Packet Controller has only two controls which are user-adjustable. These are the two modem audio output level potentiometers R-12 and R-21.

4.1 Modem Audio Output Level Adjustments

Please refer to Figure 2 in Chapter 1 for the location of the audio output level potentiometers.

R-12 is used to control the audio output level from the Channel B 7910 integrated circuit modem. This controls the audio output to the DE-9S connector used typically for the VHF radio connection.

R-21 is used to control the audio output from the optional Channel A 7910 integrated circuit modem. This controls the audio output level to the DB-25P connector used for HF or secondary VHF connection.

Each output level potentiometer is factory set for an audio output level of -30 dbm.

Each output level is adjustable from a range of -30 dbm to 0 dbm.

Our experience has shown that the factory setting of -30 dbm is very satisfactory for most transceivers. If you should have a transceiver which requires a higher level of audio drive, you should adjust R-12 or R-21 accordingly.

Required test equipment for this procedure is a A.C. voltmeter capable of measuring audio frequencies, such as the HP 400F voltmeter. The audio output should be set to -30 dbm into a 600 ohm resistive load.

These are the ONLY user adjustments on the RPC-2000.

CHAPTER 5 IN CASE OF DIFFICULTY

This section of your instruction manual will discuss in general terms how to keep your RPC-2000 in top operating condition and some typical operating problems you might encounter (and some solutions).

5.1 Care and Feeding of Your RPC-2000

Your RPC-2000 is the latest of many generations of terminals and modems manufactured by HAL Communications Corp. In every way, it has been designed, constructed, and tested to assure years of trouble-free operation. However, there are a number of simple procedures that you, the user, can follow to further improve the reliability, performance, and lifetime of the RPC-2000 and software. The following suggestions are offered to help preserve a long operating life for your RPC-2000.

Environment:

Electronic equipment is very susceptible to variations in temperature and relative humidity, as well as to dust and dirt accumulations. The RPC-2000 will operate in normal room-temperature environments and should be as tolerant of temperature extremes as you are while operating it. However, inadvertent blockage of the ventilating holes in the HAL DS-3200 Radio Data Communications terminal or IBM PC-compatible computer will cause the INTERNAL temperature of the terminal or computer and the RPC-2000 to rise considerably above the ambient room temperature. This can cause complete circuit failure.

Accumulations of dust or dirt, particularly when accompanied by high humidity conditions, can cause overheating and may result in long-term corrosion of the internal circuitry. Therefore, try to position the terminal or computer so that its ventilating holes are not obstructed and try to avoid extremely dusty or dirty environments. On the other hand, the solid-state components in the RPC-2000 are designed to operate at considerably higher temperatures than we humans; do not be overly concerned if the components on the circuit board operate quite warm to the touch. This internal heat often helps to "dry-out" humidity in the cabinet.

Use normal care in handling the software diskette. Avoid dust, humidity, heat, and finger prints. Do NOT use ball-point pens to mark labels on the diskette or its cover. As noted in Chapter 1 of this instruction manual, be sure to make several copies of the RPC-2000 diskette and then USE THE COPIES. Store the original

diskette in a cool and dry location away from magnetic fields (including the ringer in a telephone). A drawer in a metal desk is a good location.

Electrical Connection:

All electrical connection points of the RPC-2000 have maximum voltage ratings as given in Table 3 and Table 5 and Chapter 6 of this instruction manual. If these ratings are exceeded for even a short period of time, considerable damage to the RPC-2000 and the HAL DS-3200 Radio Data Communications terminal or IBM-compatible computer may result. Therefore, be very careful -- KNOW the ratings of the RPC-2000 and the characteristics of any other equipment before making connections. Some common causes of electrical failures have been found to be:

- A. Inadequate grounding, causing RF interference problems as well as sensitivity to AC power line transients.
- B. Improper connection of either the DE-9S connector or the DB-25P connector.
- C. Damage from lightning, or other transients on the power line or station antenna system. A good lightning protection system may help, as will disconnecting the terminal or computer during electrical storms. However, such things are unpredictable and the RPC-2000 is no more susceptible to such problems than other electronic equipment in the station.

5.2 Typical Operational Problems

Because a large number of features are offered in the RPC-2000, it is by nature a complicated device. Therefore, there may be times when it first appears that the RPC-2000 or the computer has either quit completely or gone off to "do its own thing". If some of the circuitry has failed, you may well get such symptoms. However, most often when a new owner finds the RPC-2000 "unresponsive", it is actually doing what it has been instructed to do. Familiarity with the RPC-2000 software will quickly reduce the chances of "cockpit error" during operation.

5.3 RFI Problems

The RPC-2000 has been designed to minimize radio frequency interference problems. I/O connections to the DE-9S and DB-25P connectors are by-passed and the circuit board is particularly designed to keep computer noise to a minimum. However, addition

of the RPC-2000 will NOT reduce radio noise that emanates from a poorly shielded IBM-compatible computer. Connecting cables directly to the terminal or computer cabinet may in fact make the computer noise more noticeable in your receiver. The computer may also be susceptible to transmitter RF. The following are recommended techniques to reduce RFI to and from a terminal or computer:

1. Use SHIELDED cables for ALL connections in the radio system. This includes all wires to the RPC-2000 AND other wires between transceiver and accessories in the station.
2. Use COAXIAL CABLE as your transmission line from the radio to the antenna. Open-wire or twin-lead transmission line and the use of antenna tuners (transmatches) are generally NOT compatible with computer devices.
3. Connect the cabinets of ALL equipment in the radio station together with SHORT and LOW INDUCTANCE ground leads. Shield braid that is 1/4" or 1/2" wide is highly recommended. Connecting the cabinets together is MUCH more important to RFI reduction than installing a wire to a copper ground rod which is driven into the ground near the station site. This provides a reasonably good D.C. ground, but does little as a RF ground. (The "driven ground rod technique" is important for A.C. safety, however.)
4. Locate the antenna so that the radiating sections are well away from the radio equipment. Installing a dipole with one end on the outside wall of the radio room is inviting major RF problems.
5. Make sure that the A.C. power line cords of the transmitter and linear amplifier (if used) include bypass capacitors to the chassis. Some commercially manufactured amplifiers do NOT contain these capacitors and a noticeable amount of RF escapes via the power cord.
6. The terminal or computer keyboard cable can act as an antenna and be the "path" into or out of the terminal or computer for RFI. A shielded keyboard cable and/or a toroid on the keyboard cable may fix this problem.

These are just a few suggestions that have helped to reduce RFI with computers. Every RFI problem tends to be different and some experimentation is usually required before all RFI problems are solved. Additional suggestions for suppression of RFI are contained in the booklet "R.F. Induced Problems and Solid State RTTY Terminals" available from HAL Communications Corp. free of charge.

5.4 Repair Procedures

In the event that your RPC-2000 develops a malfunction, the first step is to carefully note all of the symptoms of the problem. Statements such as "BROKEN" or "DOESN'T WORK" are of little help to the service technician, and usually lead to longer repair times than might otherwise be required. Try to provide as much information concerning the failure as you can before you contact your dealer. By all means, consult your dealer before calling the factory; the dealer may be able to fix the unit locally and avoid the shipping and delay times. The following are some of the things that will concern the dealer or factory:

1. Model number and version number (V1.x) of the software.
2. How long have you owned the RPC-2000?
3. Where did you purchase it (dealer's name)?
4. If purchased used, who was the previous owner? (Used to refer to any previous repair history on that particular unit.)
5. What mode and data rates are associated with the failure? Does it only happen in receive, transmit, or both?
6. Are there any extenuating circumstances? (Lightning, spilled liquids, or dropped unit?)
7. Is there anything else you can add to the description that you think might be useful?

AFTER you have determined answers to the above, contact your dealer and discuss the problem with him. If the dealer indicates that he will be unable to assist you, the unit should be returned to the HAL factory for repair. Before returning the unit to the factory, either you or the dealer should call and receive factory return authorization so that we may expect the unit in our receiving department and be prepared to work on it when it arrives.

MOST IMPORTANT: INCLUDE IN THE BOX A SHORT NOTE DESCRIBING THE PROBLEM AS BEST POSSIBLE.

Whenever possible, return the unit via UPS to the factory address as listed below. Please insure it for the full value. The shipping cost to the factory should be paid by you. If the repair is covered by the HAL warranty, the return shipping costs from the factory are paid by HAL (48 contiguous states only). You will be charged for return shipping costs on non-warranty repairs.

The factory "SHIP TO" address is:

HAL Communications Corp.
ATTN: Repair Department
1201 West Kenyon Road
Urbana, IL 61801

Because of the complexity of the circuitry used in the RPC-2000, we do NOT recommend that you personally undertake repair of the circuit board. For the convenience of field repairs, however, we have included a summarized circuit description and schematic diagrams in Chapter 6.

CHAPTER 6
TECHNICAL DESCRIPTION

6.1 Specifications

Radio Ports:

Number: 2
Type: 1 - 300/1200 BPS Internal
Tone Modem
1 - RS-232C Serial I/O Port
to External HF Modem
Option: 1 - Additional 300/1200 BPS
Internal Tone Modem

Internal modem: Packet Radio Channel B
DE-9S Connector (J9)
Type 7910 I.C.
300/1200 BPS
300 BPS: 1270/1070 Hz or
2225/2025 Hz
1200 BPS: 1200/2200 Hz
Input: -30 dbm to 0 dbm,
600 ohms
Output: -30 dbm to 0 dbm,
600 ohms, adjustable
Tx Control: Key to ground,
250 ma maximum

RS-232C I/O Port: Packet Radio Channel A
DB-25P DCE Connector (J8)
45 to 4800 BPS
TXD, RXD, CTS, RTS, DTR, DCD,
and SG

Optional Modem: M2-RPC
Type 7910 I.C.
Same specifications as Internal
7910 I.C. Modem. Used as Packet
Radio Channel A.

Compatibility: HAL DS-3200 Radio Data Communica-
tions Terminal, IBM PC, PC-XT, or
PC-AT. Other IBM-compatible
computers will work if hardware
ROM BIOS routines are compatible.
Minimum system: PC DOS or MS DOS
V2.1 or later. 512K RAM. Two
floppy disk drives or hard drive.

Mechanical: One full-size IBM PC circuit
board; 13.25" (33.66 cm) x 4.00"
(10.16 cm) with 62 contact edge
connector.
Software furnished on one 5.25"
DSDD 360K diskette
.75 lbs (.34 kg) net, 3.0 lbs
(1.36 kg) shipping weight

Specifications are subject to change without notice.

HAL Communications Corp. offers a list of recommended accessories
that one may consider to use with the RPC-2000. These include:

DS-3200 Radio Data Communications Terminal
ST-8000 HF Modem
PCI-2000 Personal Computer Interface
SPT-1 SPECTRA-TUNE Tuning Indicator

If you should have any questions regarding RPC-2000 system
compatibility or questions on the technical specifications,
please do not hesitate to contact the HAL Customer Service
Department at (217) 367-7373 8:00A.M.- 5:00P.M., M - F.

6.2 Circuit Description Overview

This section summarizes the hardware of the RPC-2000. For each area of hardware description, please refer to the applicable schematic diagram.

6.2.1 PC Buss Interface Circuitry

Please refer to schematic diagram A1673 (Figure 9).

This circuitry interfaces signals to the DS-3200 Radio Data Communications Terminal or IBM-compatible computer PC buss structure.

The 74LS245 (U28) is the data buss bi-directional buffer. Two 74LS244 chips (U26) and (U27) buffer the address and control signals from the DS-3200 or PC. A section of a 74LS04 (U16) and a 74LS30 (U17) decodes the RPC-2000 card address. A 74LS32 (U5), 74LS08 (U6), and 74LS138 (U15) generate the chip selects for the various parts on the RPC-2000 circuit board.

6.2.2 Timer and Interrupt Circuitry

Please refer to schematic diagram A1674 (Figure 10).

This circuitry generates the timer outputs and interrupts.

A 74LS393 (U25) divides the DS-3200 or PC clock rate to the proper rate for the timer chip U23, a 6420320 I.C. U23 is used for various system timing functions. The Serial Communications Controller (SCC) interrupt and the timer outputs from U23 are combined into one interrupt line by a 74LS32 (U24). A section of a 74LS04 (U16) converts the SCC interrupt from an ACTIVE LOW interrupt to an ACTIVE HIGH interrupt that the DS-3200 or PC understands. A 74LS244 (U22) is used to read the interrupt sources and also to check on the state of the Push-to-Talk (PTT) control lines.

6.2.3 Serial Communications Controller (SCC) Circuitry

Please refer to schematic diagram A1675 (Figure 11).

This circuitry includes the Serial Communications Controller (SCC) and RS-232C I/O line drivers and receivers.

A Z8530A (U3) is the serial communications controller (SCC) chip. The SCC has internal baud rate generators. Two 74LS393

integrated circuits (U13) and (U14) are dividers used to generate the proper transmit baud rate based on the receive baud rate generated by the SCC. The Channel A output from the RPC-2000 can be selected for RS-232C I/O or the optional 7910 internal modem. A 74LS167 (U12) selects which source the receive signals come from -- RS-232C or optional modem. Two MC1489 integrated circuits (U7) and (U18) and a MC1488 (U8) are the RS-232C I/O line drivers and receivers.

6.2.4 Push-to-Talk (PTT) and System Indicator Circuitry

Please refer to schematic diagram A1676 (Figure 12).

This circuitry includes the Push-to-Talk (PTT) control circuitry and the system indicators.

A 74LS14 (U1) and a 74LS04 (U4) control the PTT output line. These outputs have a timer that turns the output off if it is not refreshed from time to time. Installing jumpers (J1) and (J2) defeats this function. A 74LS244 (U2) drives the two quad LED packs that are on the RPC-2000 circuit board. These LED's indicate the state of TXD, RXD, DCD, and PTT for each of the RPC-2000 channels. Two 74LS374 integrated circuits (U11 and U21) are used to set the AM7910 modem integrated circuits (U10) and (U20). The MC0 to MC4 outputs determine in which mode the AM7910 modems operate. (U11) and (U21) also control the PTT outputs. Additionally, (U11) is used to select the RS-232C/modem data for Channel A.

6.2.5 AM7910 Modem Circuitry

Please refer to schematic diagram A1677 (Figure 13).

This circuitry includes the AM7910 integrated circuit (U10), the optional M2-RPC AM7910 integrated circuit (U20), and related output circuits including audio output indicator and level adjustments.

The two AM7910 integrated circuits (U10) and (U20) are the modem chips. Two LM1458 integrated circuits (U9) and (U19) are used to drive the audio output from the modem chips and to drive the two color LED's (DS3) and (DS4) on the RPC-2000 circuit board. The two color LED's are present to indicate activity on the receive audio line to the modem chips. Potentiometer R-12 is used to adjust the level of audio output for Channel B; potentiometer R-21 is used to adjust the audio output form Channel A when the M2-RPC optional AM7910 modem is installed.

6.2.6 RPC-2000 Connector Pin-Outs and Connector RF Bypassing

Please refer to schematic diagram A1678 (Figure 14).

This contains the connector pin-outs for the DE-9S connector (J9) and the DB-25P connector (J8). Also, included are the monolithic RF bypass capacitors.

FIGURE 9. PC BUSS INTERFACE CIRCUITRY

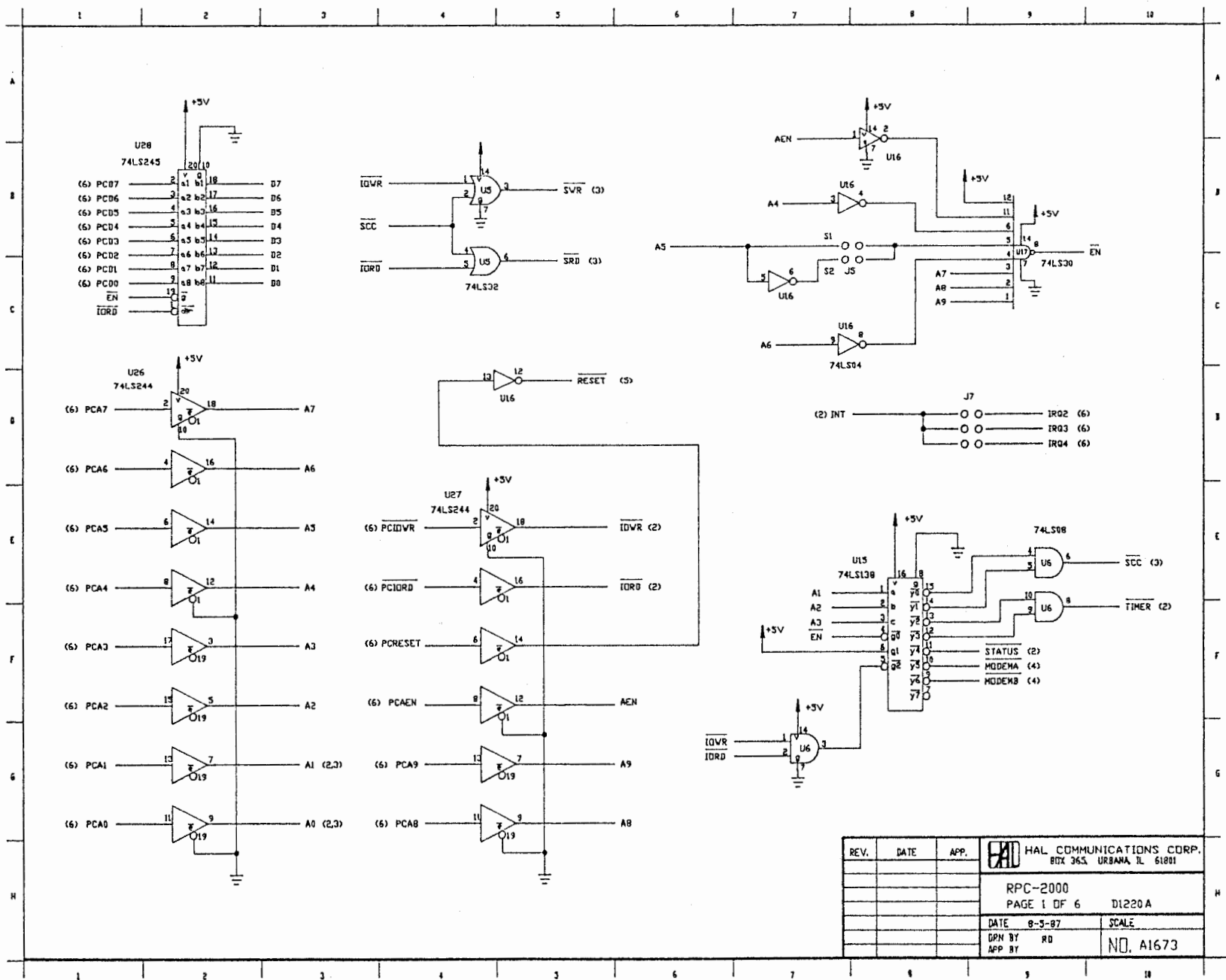
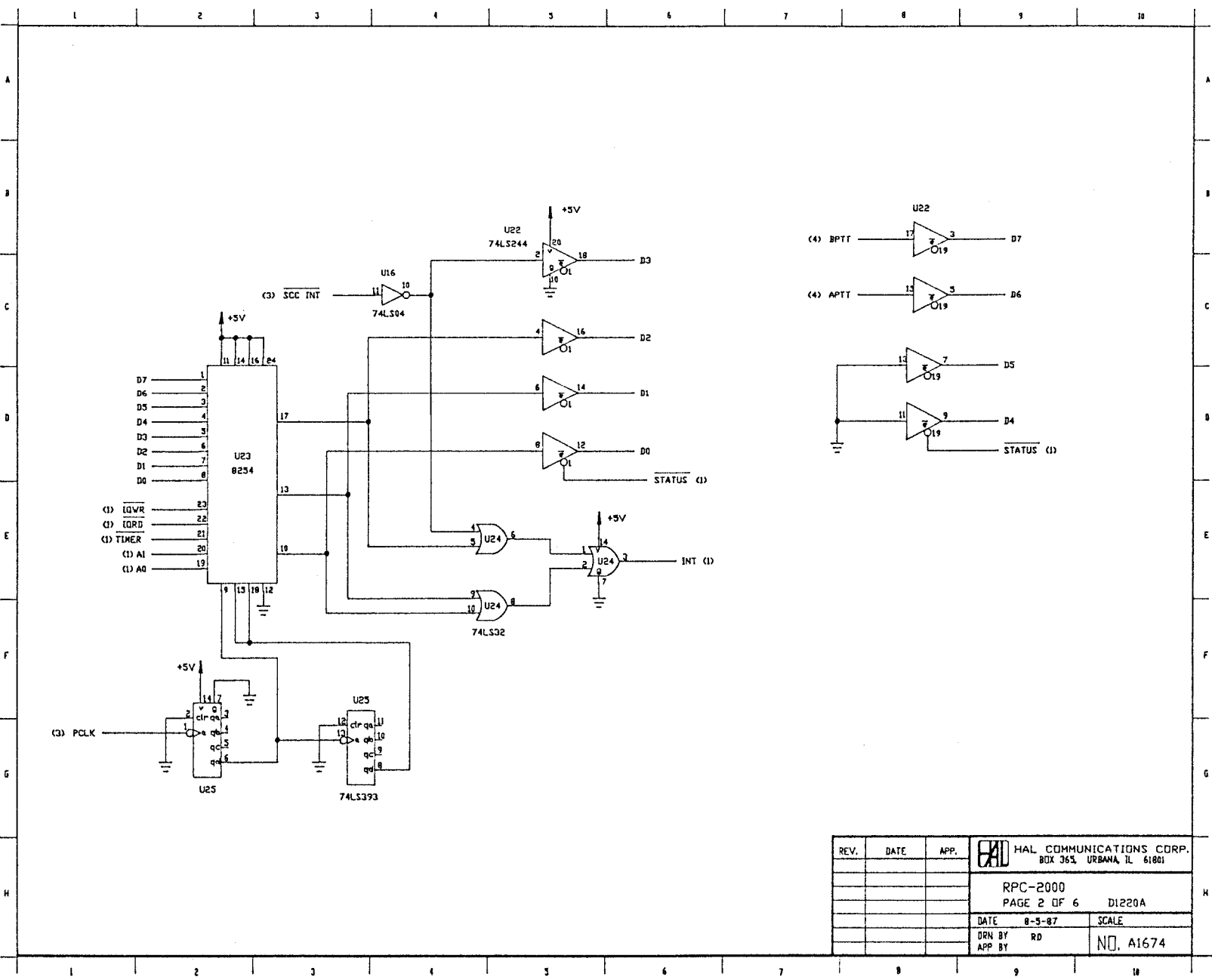


FIGURE 10. TIMER AND INTERRUPT CIRCUITRY



REV.	DATE	APP.	HAL COMMUNICATIONS CORP. BOX 363, URBANA, IL 61801	
			RPC-2000	
			PAGE 2 OF 6 D1220A	
			DATE 8-5-87	SCALE
			DRN BY RD	NO. A1674
			APP BY	

FIGURE 11. SERIAL COMMUNICATIONS CONTROLLER (SCC) CIRCUITRY

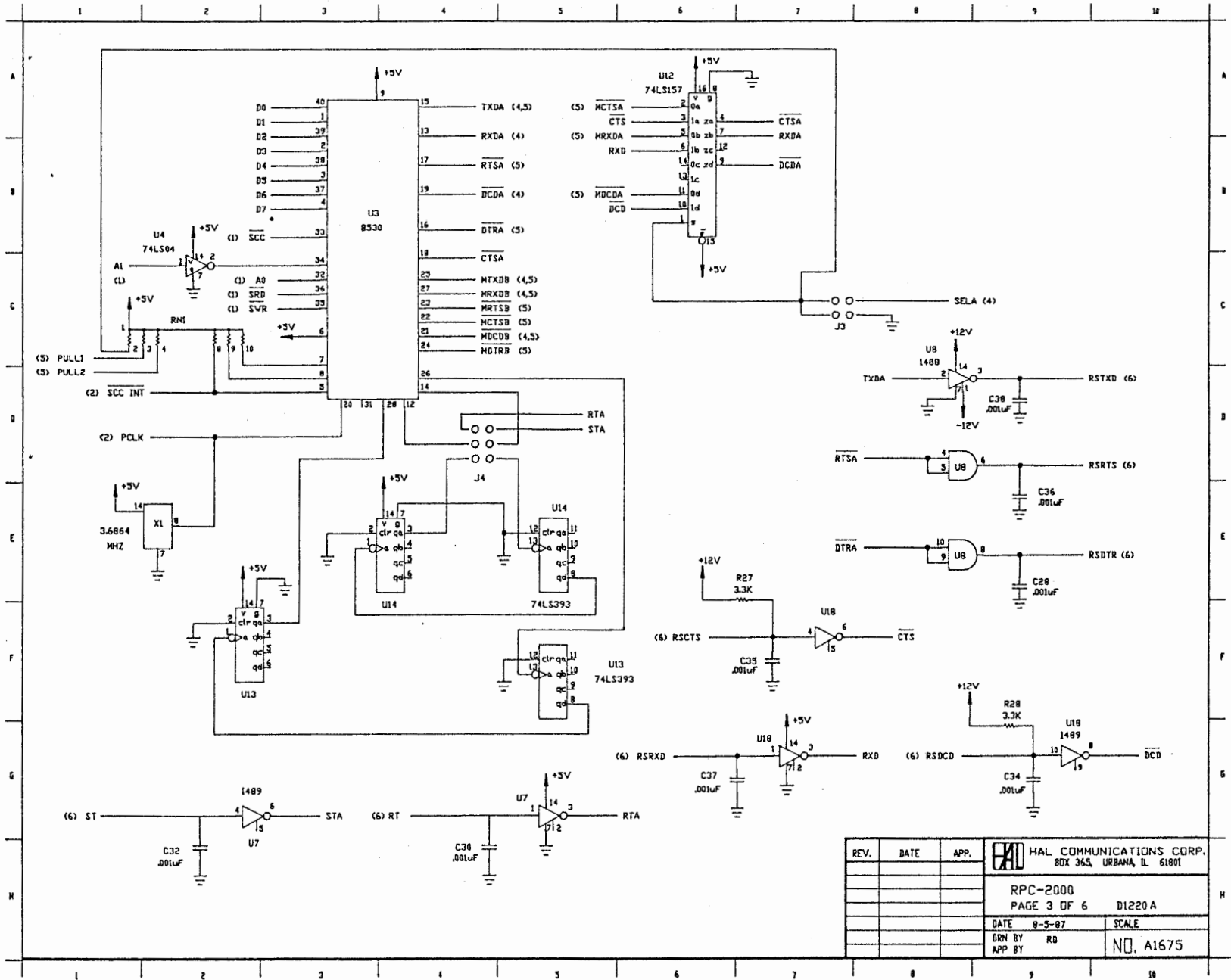
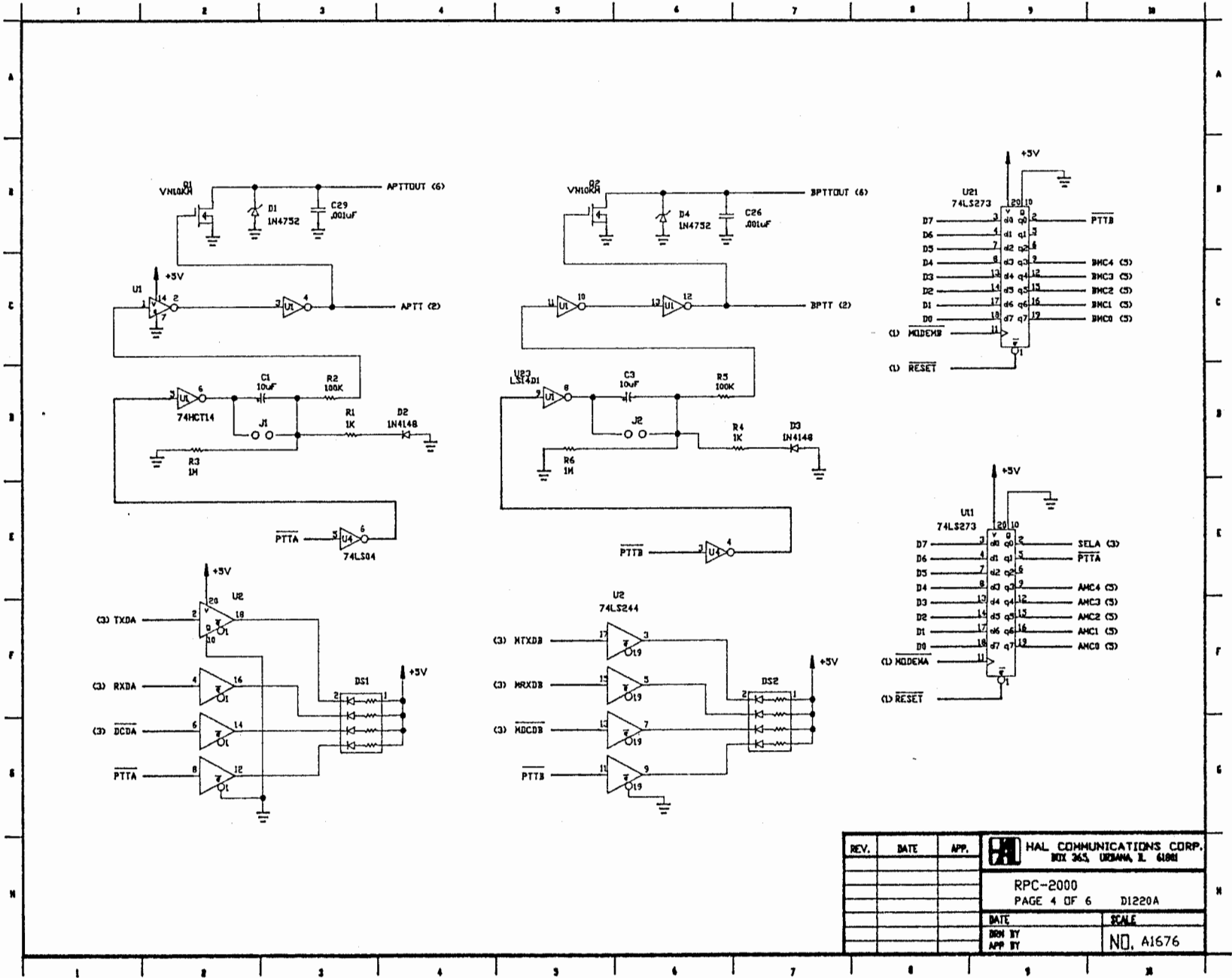
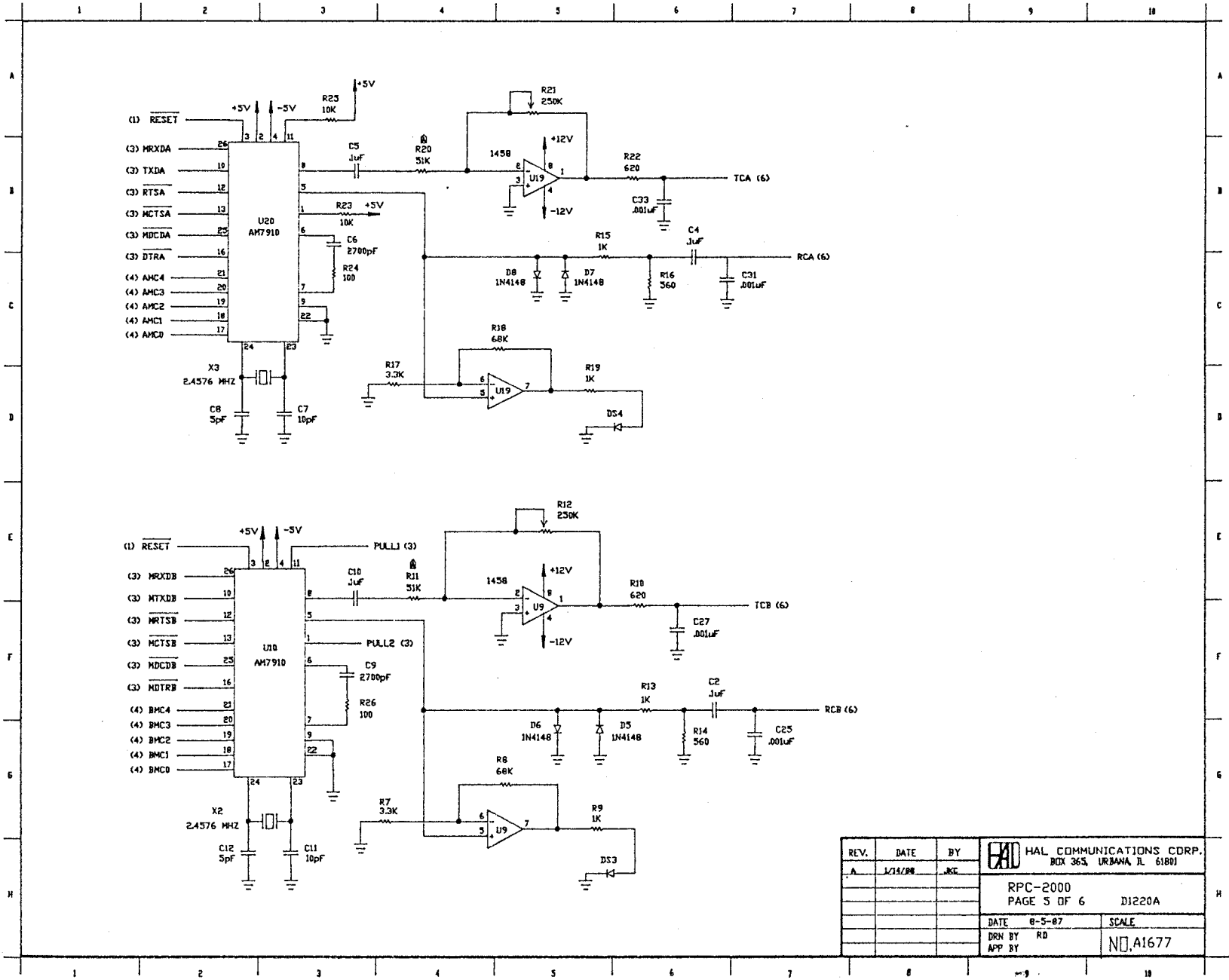


FIGURE 12. PUSH-TO-TALK (PTT) AND SYSTEM INDICATOR CIRCUITRY



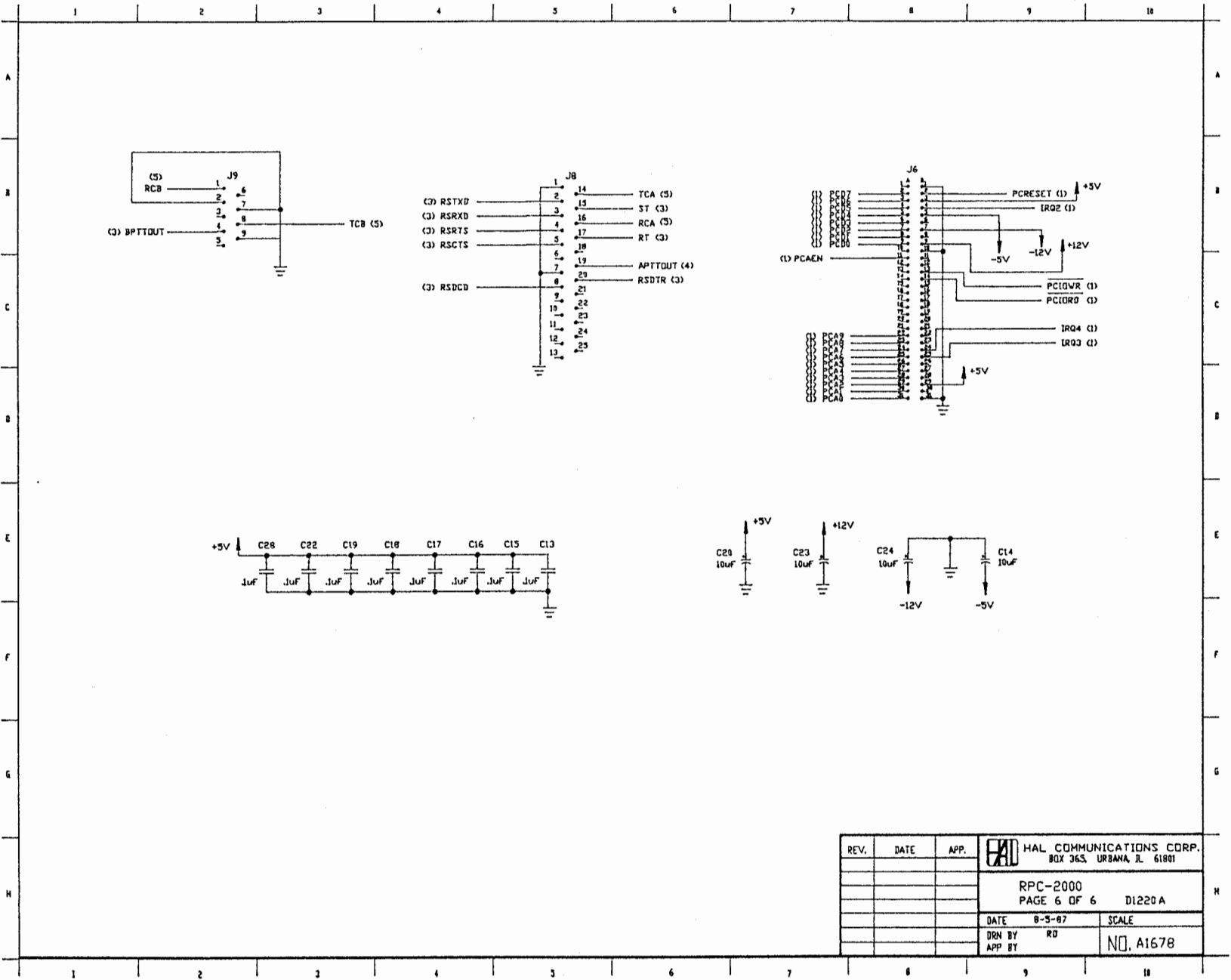
REV.	DATE	APP.	HAL COMMUNICATIONS CORP. BOX 363, URBANA, IL 61801
			RPC-2000
			PAGE 4 OF 6 D1220A
	DATE	SCALE	
	DRN BY		NO. A1676
	APP BY		

FIGURE 13. RPC-2000 AM7910 MODEM CIRCUITRY



REV.	DATE	BY	HAL COMMUNICATIONS CORP. BOX 365, URBANA, IL 61801
A	1/14/88	KE	
			RPC-2000 PAGE 5 OF 6 D1220A
	DATE 8-5-87	SCALE	
	DRN BY RD		
	APP BY		NO. A1677

FIGURE 14. CONNECTOR PIN-OUTS AND RF BYPASSING



REV.	DATE	APP.	HAL COMMUNICATIONS CORP. BOX 365, URBANA, IL 61801	
			RPC-2000 PAGE 6 OF 6 D1220 A	
			DATE 8-5-87	SCALE
			DRN BY RD	NO. A1678
			APP BY	

LIMITED WARRANTY

HAL Communications Corp. of Urbana, Illinois, hereby warrants to the original purchaser only that the product herein described and sold shall be free from defects in materials and workmanship for a period of ONE YEAR from the date of sale to the original retail purchaser.

In the event of a defect in materials or workmanship during the warranty period, HAL Communications Corp. will, at its own expense, repair the defective unit and replace any defective parts. Cost of shipping the unit to HAL Communications Corp. shall be paid by the purchaser, as well as costs of removal and reinstallation of the unit. HAL Communications Corp. will bear the shipping costs incurred in returning the unit to the purchaser (48 contiguous states only).

To obtain service under this warranty, the original purchaser should do the following:

1. Notify, as soon as possible, the Customer Service Department of the original selling dealer or HAL Communications Corp., P. O. Box 365, Urbana, IL 61801, either in writing or by telephone, of the existence of a possible defect.
2. At the time of notification, identify the model and serial number, date of purchase, place of purchase, and the possible defect.
3. Hold the unit until a written return authorization is received.
4. Return the unit, freight prepaid, upon the receipt of the written return authorization with a copy of the original bill of sale for the equipment.

Correct installation, use, maintenance, and repair are essential for proper performance of this product. The purchaser should carefully read the technical manual. The purchaser will be billed for labor and shipping charges on any unit determined by HAL to be in working order when received for repair.

This warranty does not apply to any defect which HAL Communications Corp. determines is due to any of the following:

1. Improper maintenance or repair, including the installation of parts or accessories that do not conform to the quality and specifications of the original parts;
2. Misuse, abuse, neglect, improper installation, or improper operation (including operation without a proper safety ground connection);
3. Accidental or intentional damage.

All implied warranties, if any, are limited in duration to a period of ONE YEAR from the date of purchase by the original retail purchaser. (Some states do not allow limitations on how long an implied warranty lasts, so the above limitation may not apply to you.)

HAL Communications Corp. disclaims any liability for incidental or consequential damages arising out of the use of, or inability to use, this product. (Some states do not allow the exclusion or limitation of incidental or consequential damages, so the above limitation or exclusion may not apply to you.)

This warranty gives you specific legal rights, and you may also have other rights which vary from state to state.