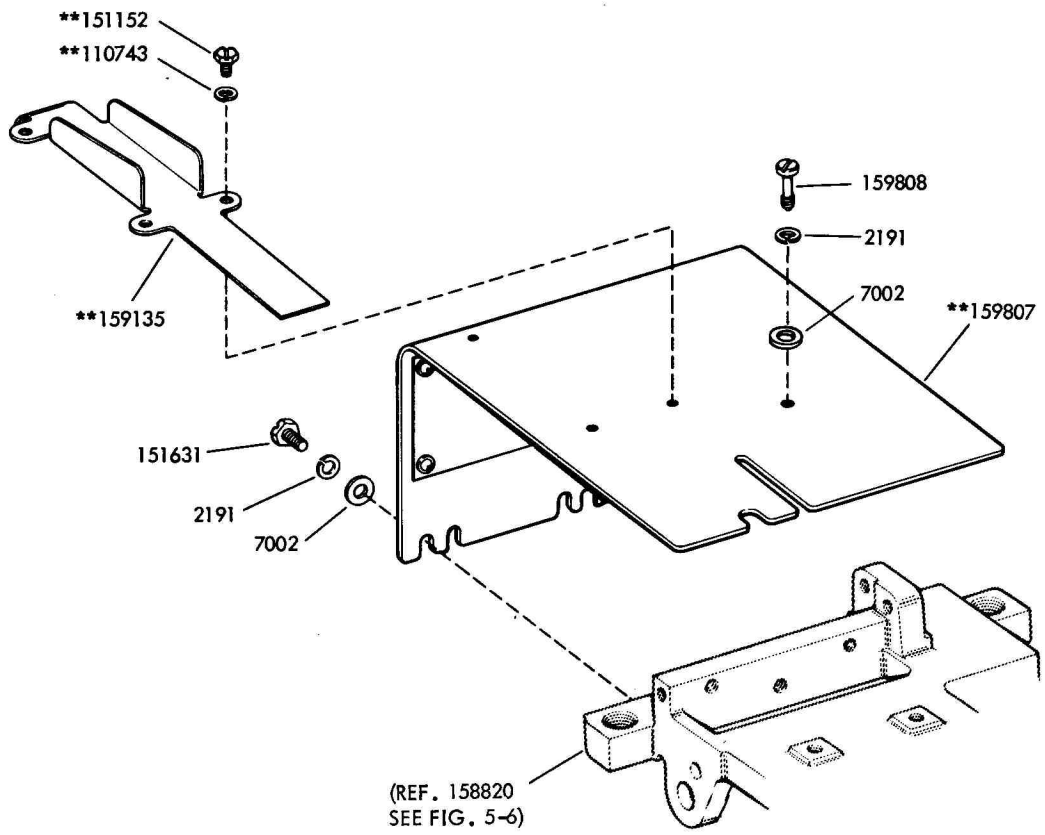


SECTION 5
TRANSMITTER DISTRIBUTOR



**PECULIAR TO COMPONENT OF REPERFORATOR
TRANSMITTER SET

FIGURE 5-1. COVERS

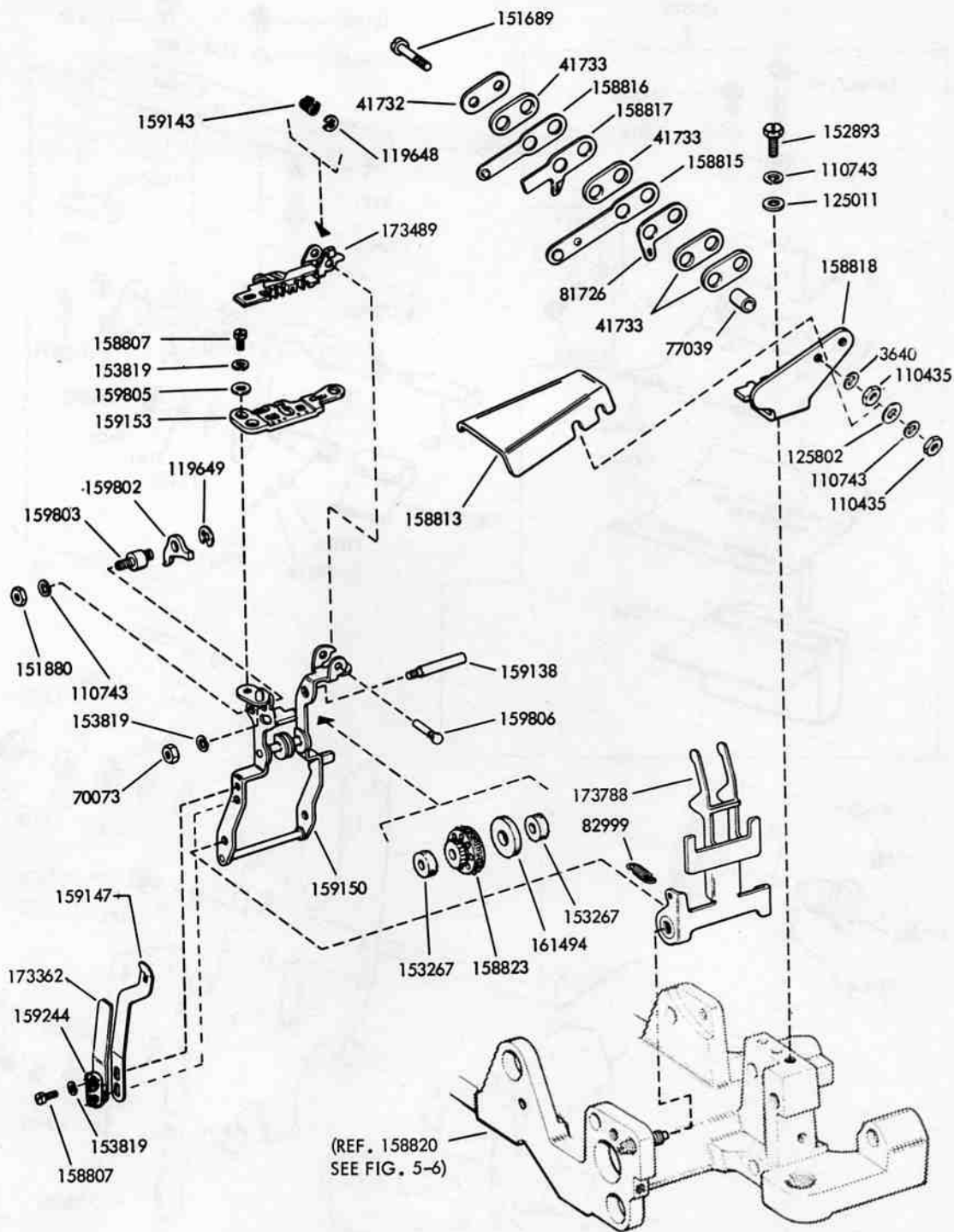


FIGURE 5-2. YOKE MECHANISM AND LAST CHARACTER CONTACT PILE UP

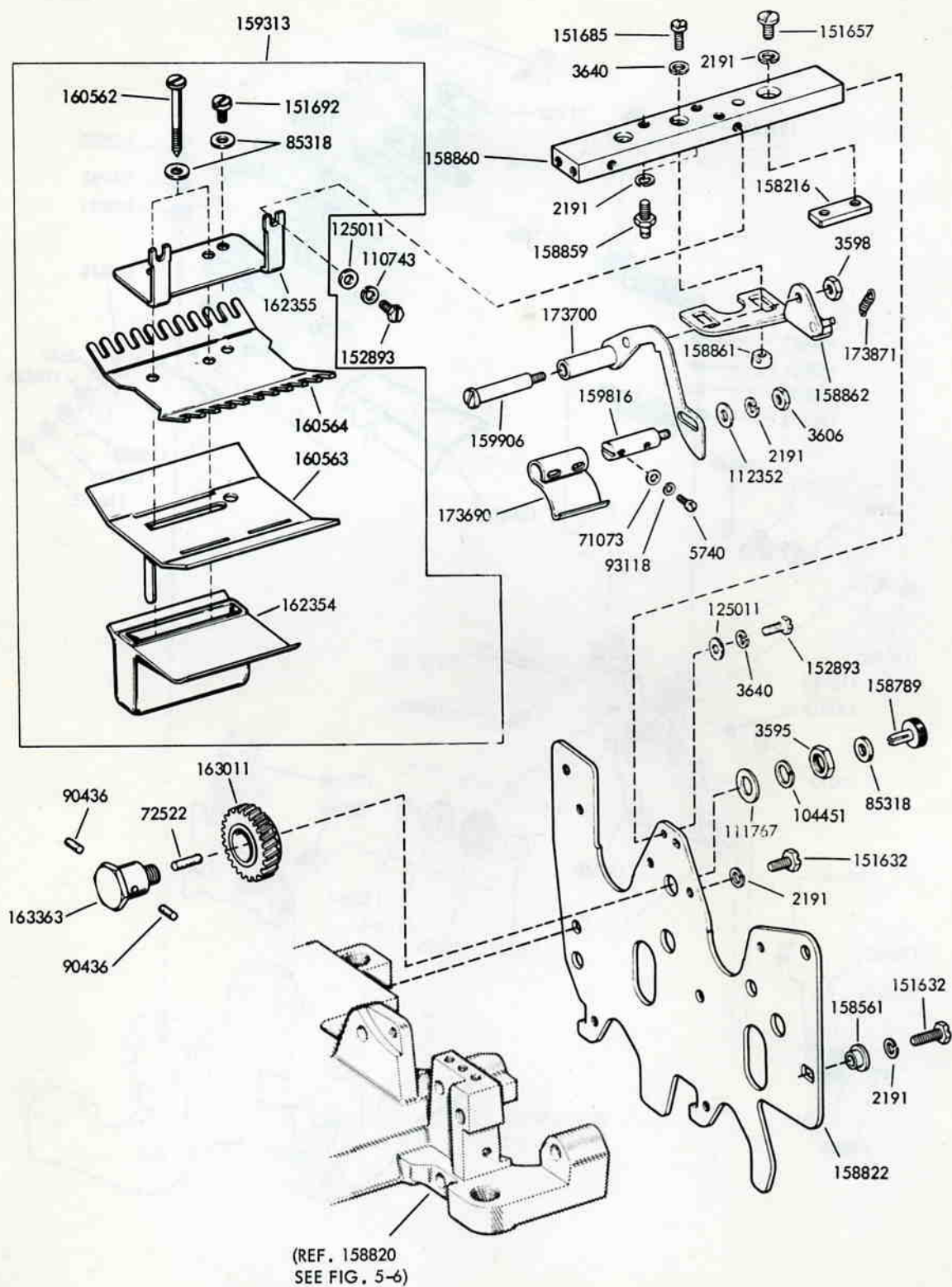


FIGURE 5-3. REAR PLATE AND RESERVOIR MOUNTING BAR

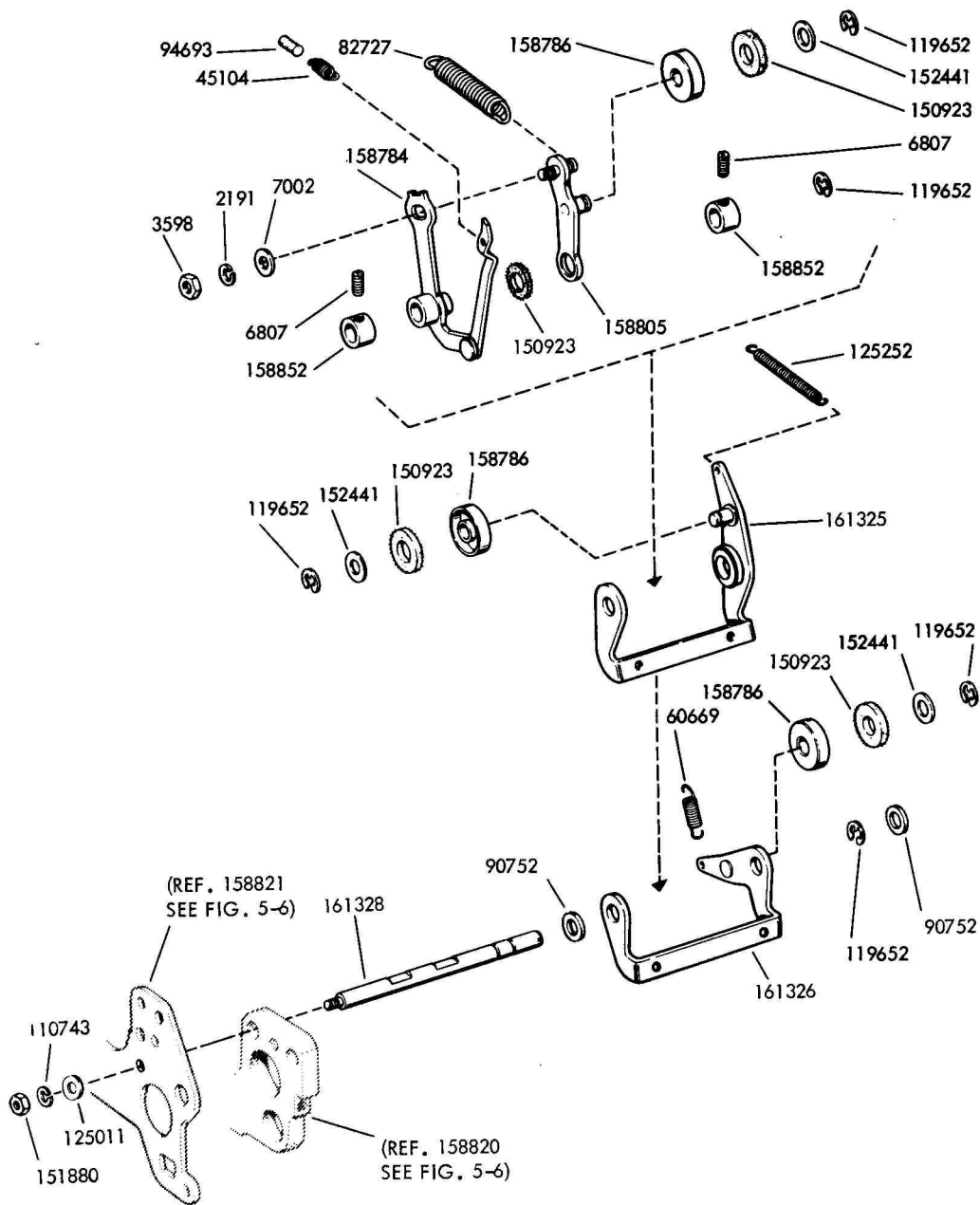


FIGURE 5-4. BAILS

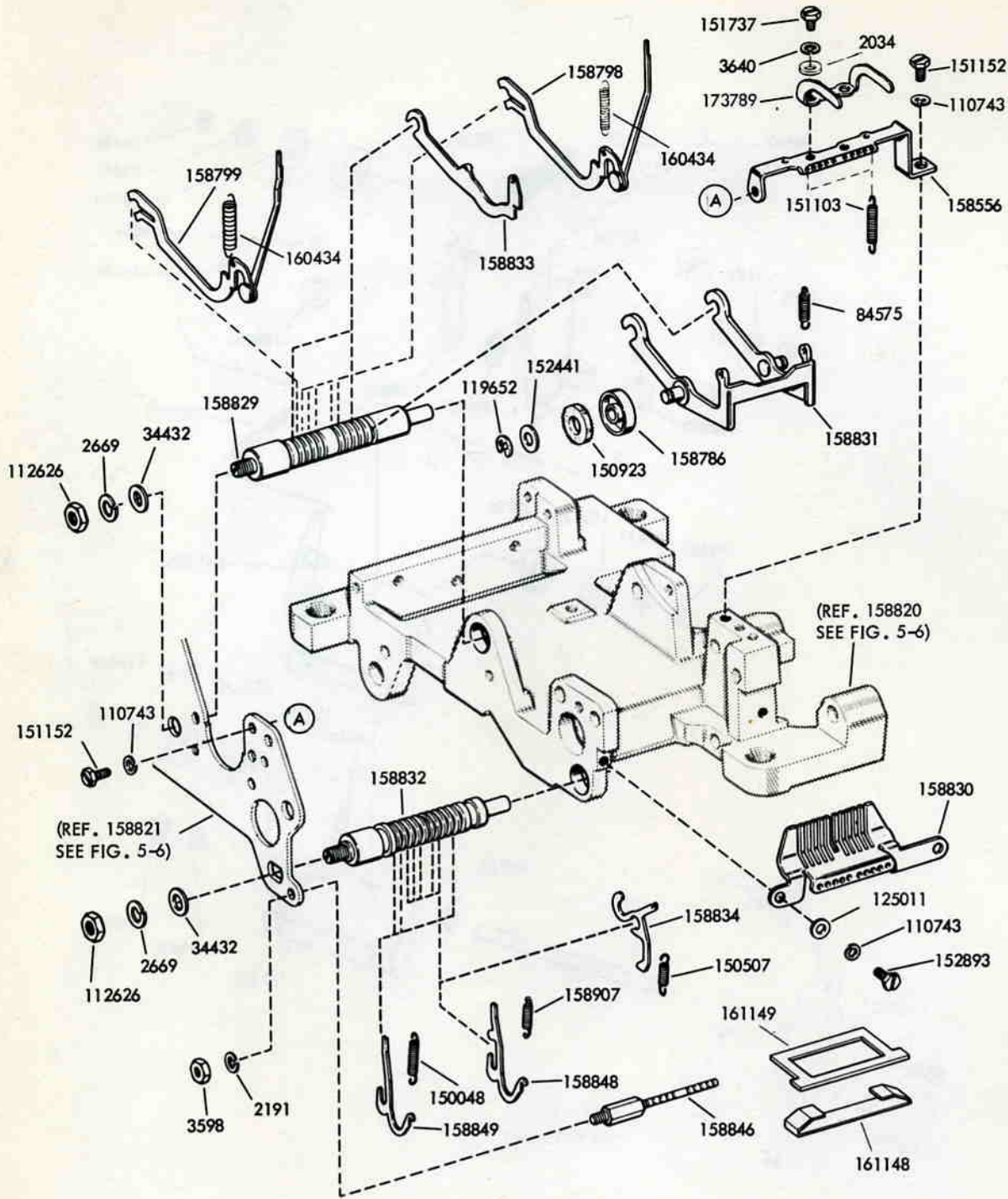


FIGURE 5-5. ECCENTRIC SHAFTS

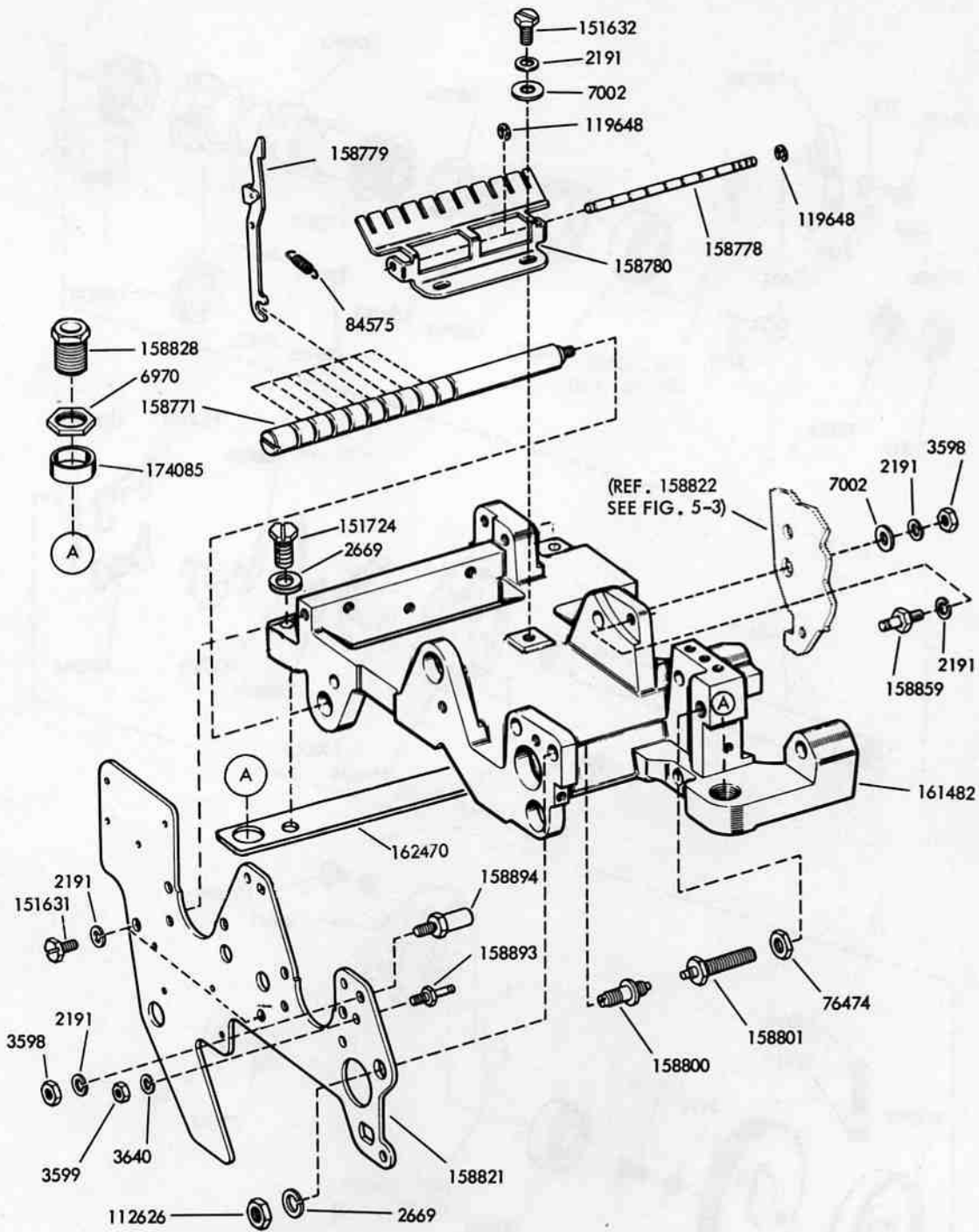


FIGURE 5-6. FRONT PLATE AND MAIN CASTING

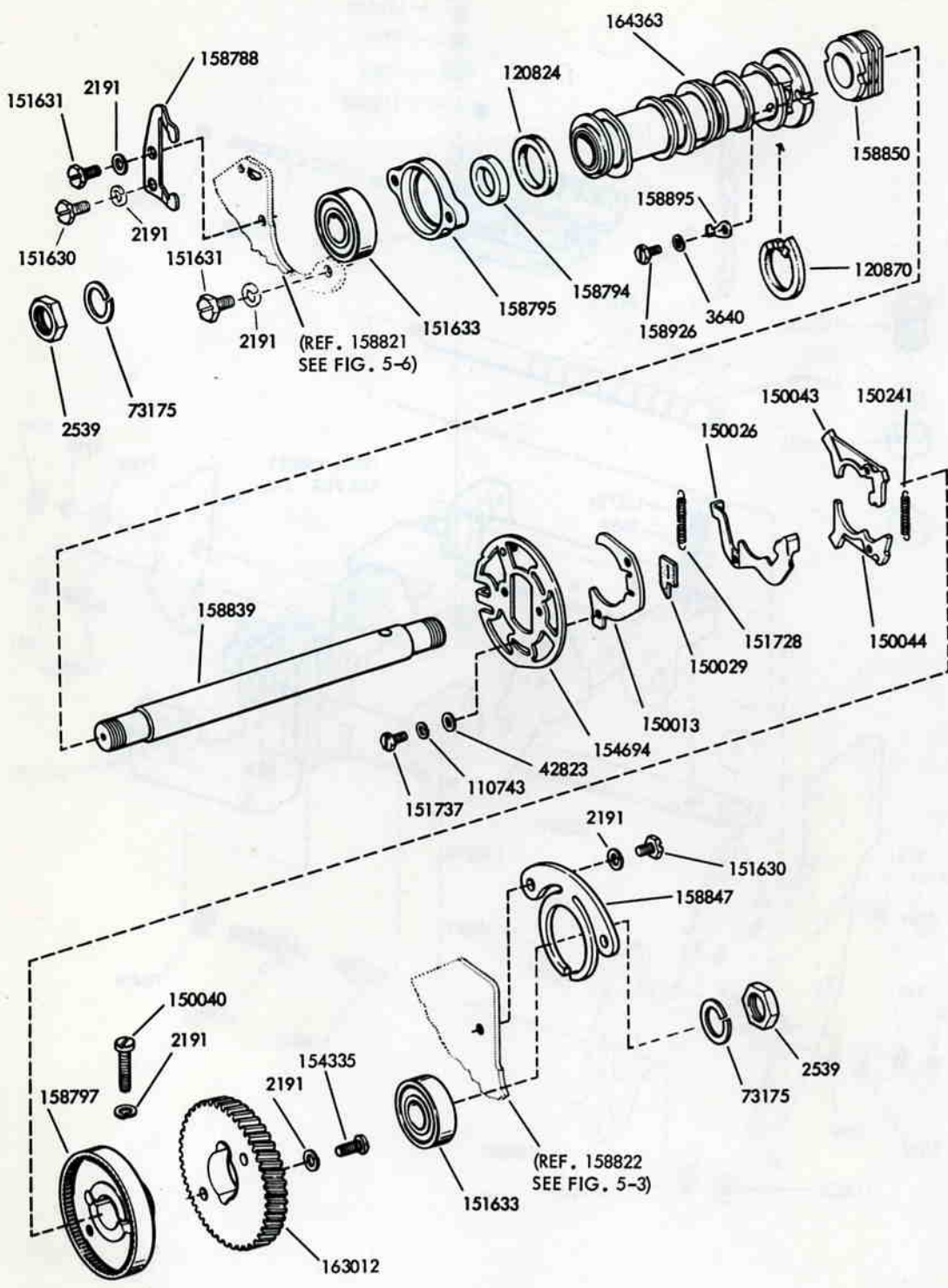


FIGURE 5-7. SENSING SHAFT MECHANISM - 1 CYCLE

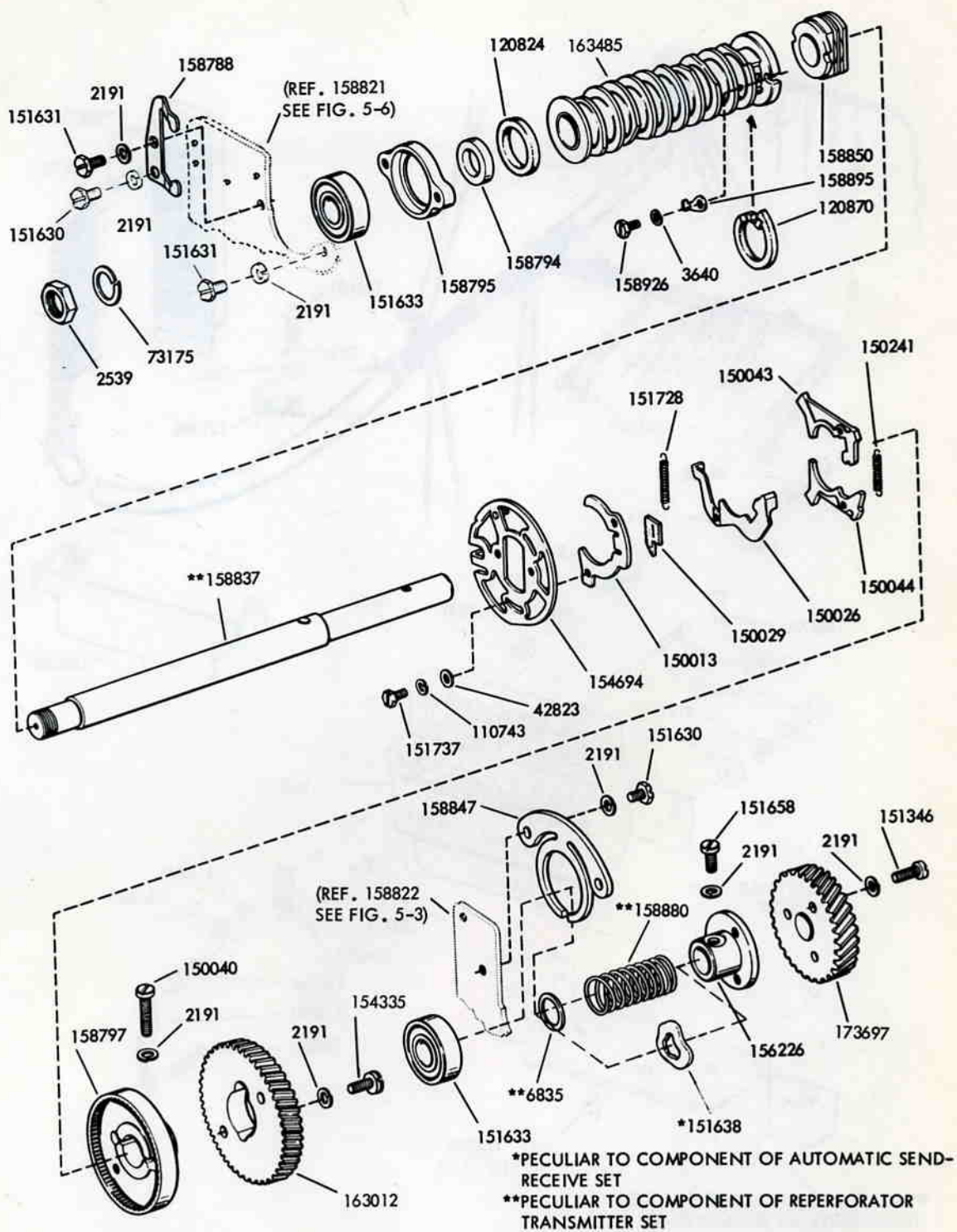
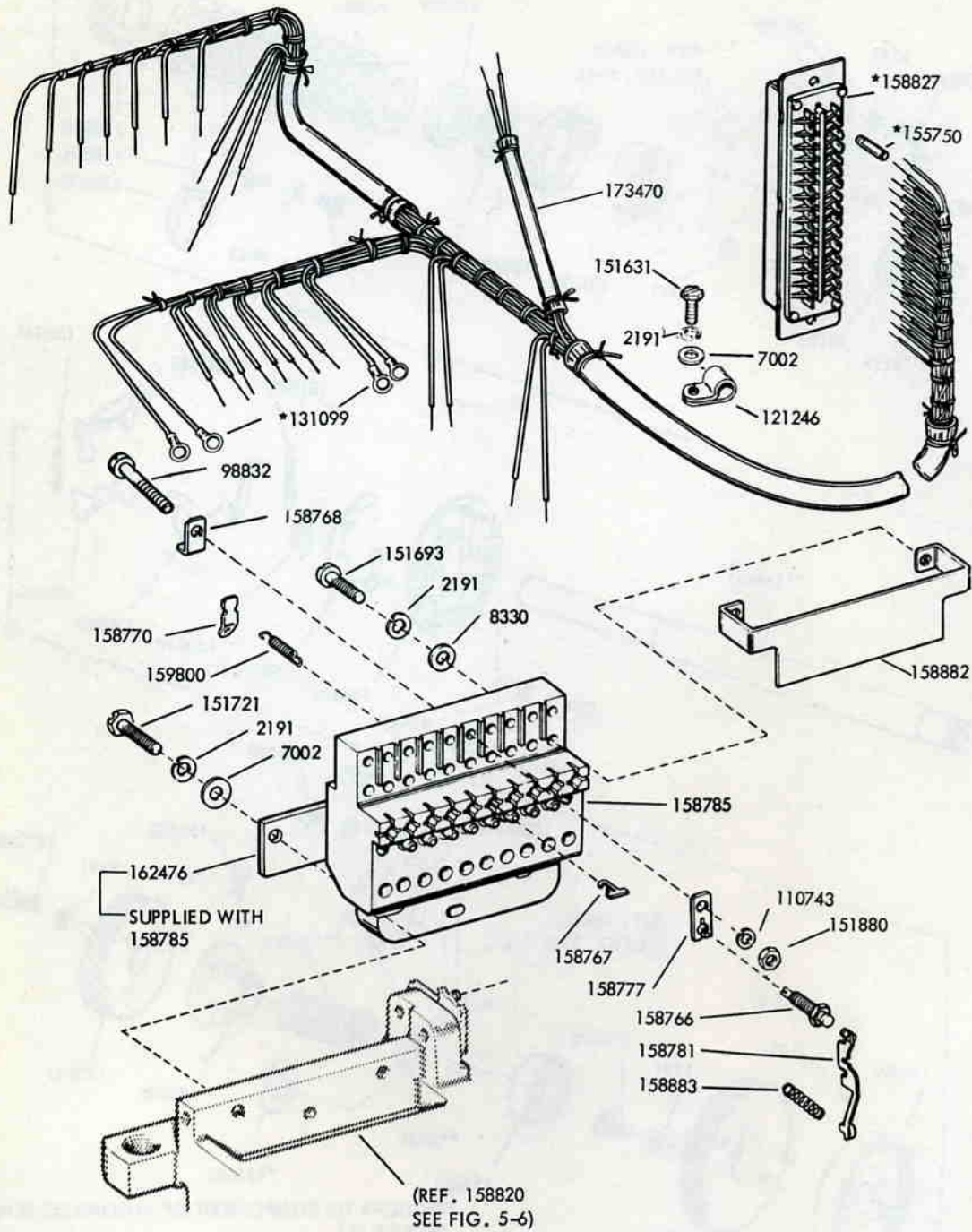


FIGURE 5-8. DISTRIBUTOR SHAFT MECHANISM



*PART OF 159809 (FOR REPERFORATOR TRANSMITTER SET COMPONENT).

FIGURE 5-9. DISTRIBUTOR CONTACT BLOCK

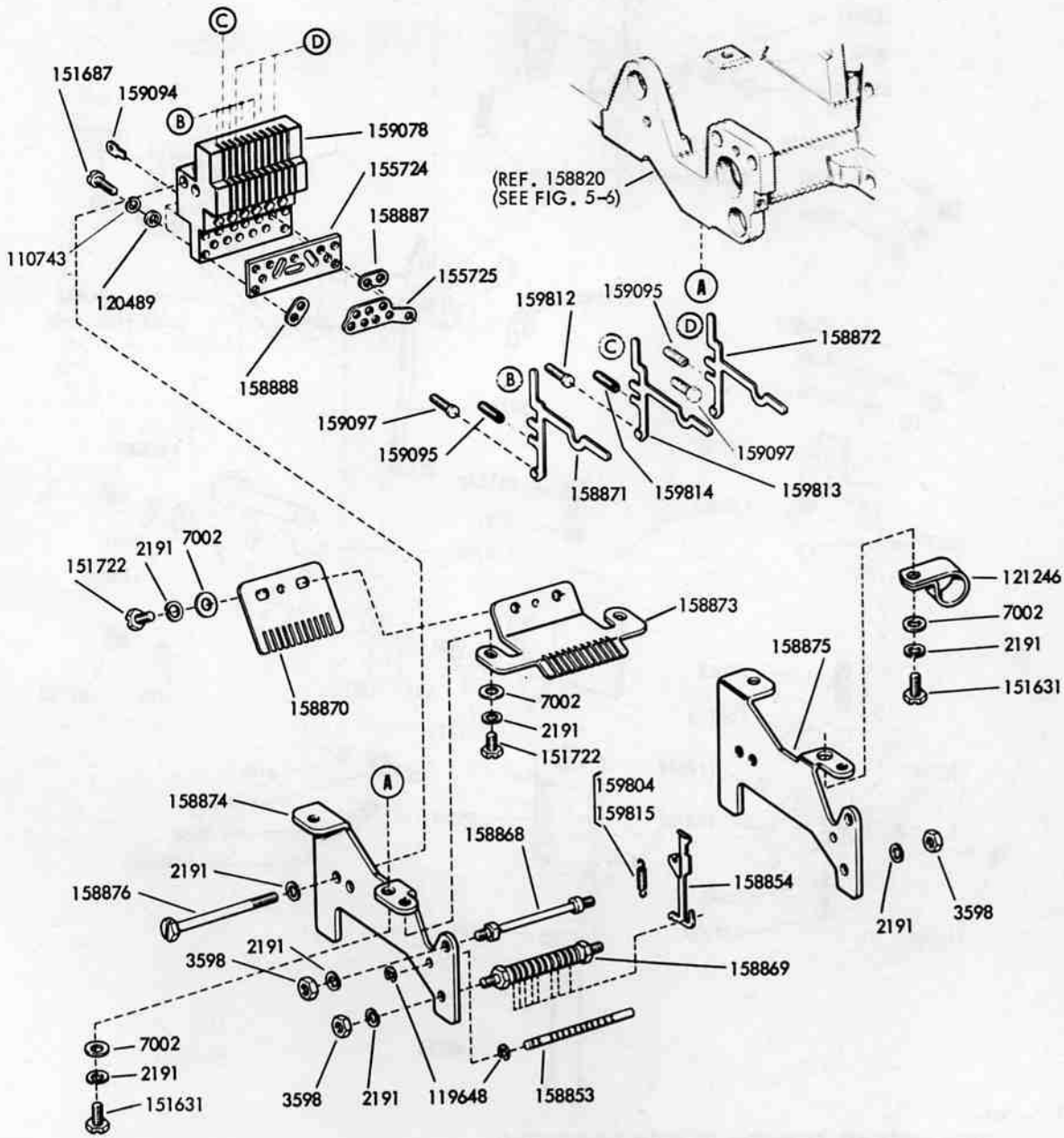
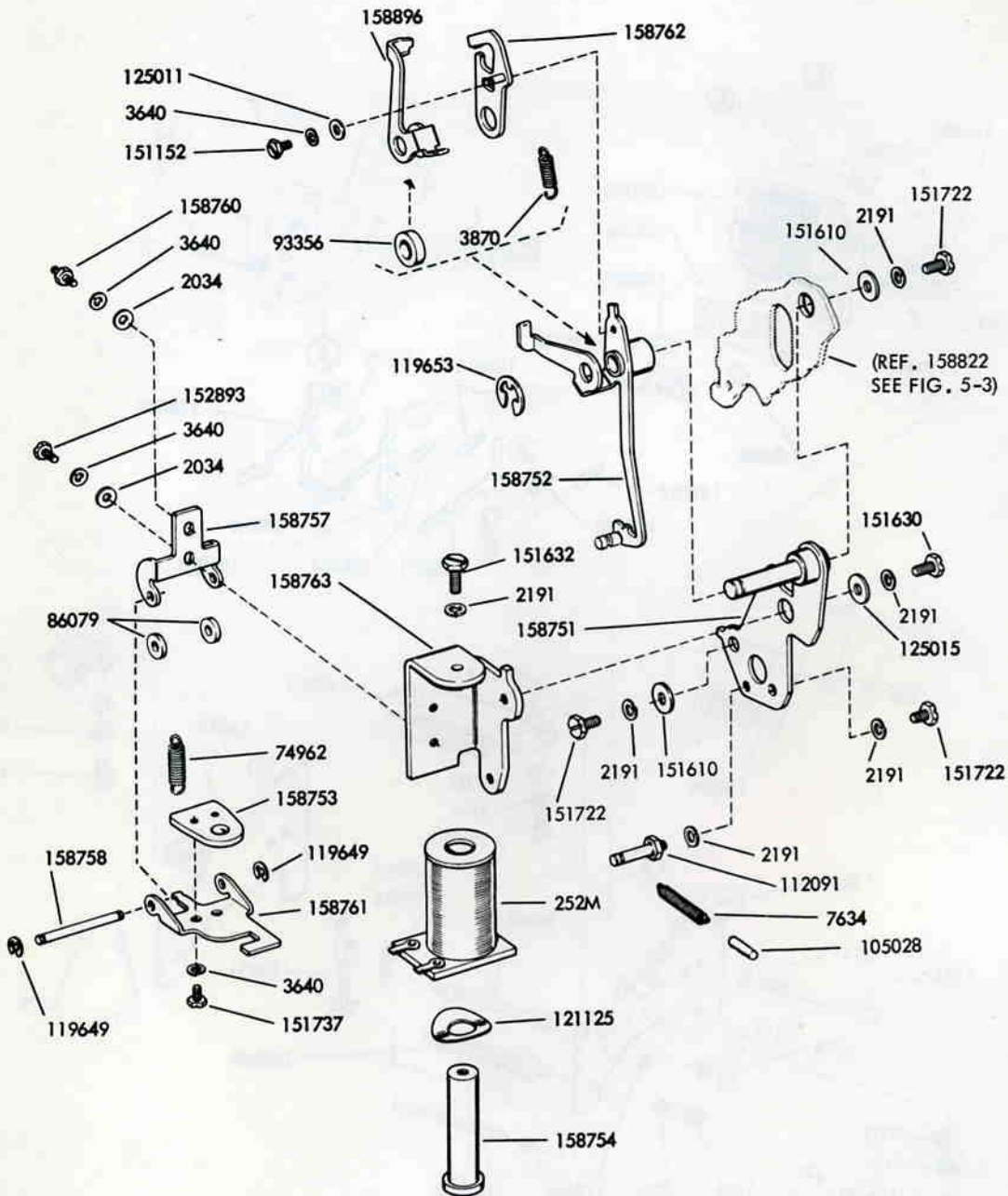


FIGURE 5-10. STORING CONTACT BLOCK



NOTE:

THESE PARTS ARE COMMON TO BOTH THE SENSING AND DISTRIBUTOR CLUTCH TRIP MECHANISMS.

FIGURE 5-11 CLUTCH TRIP MECHANISM