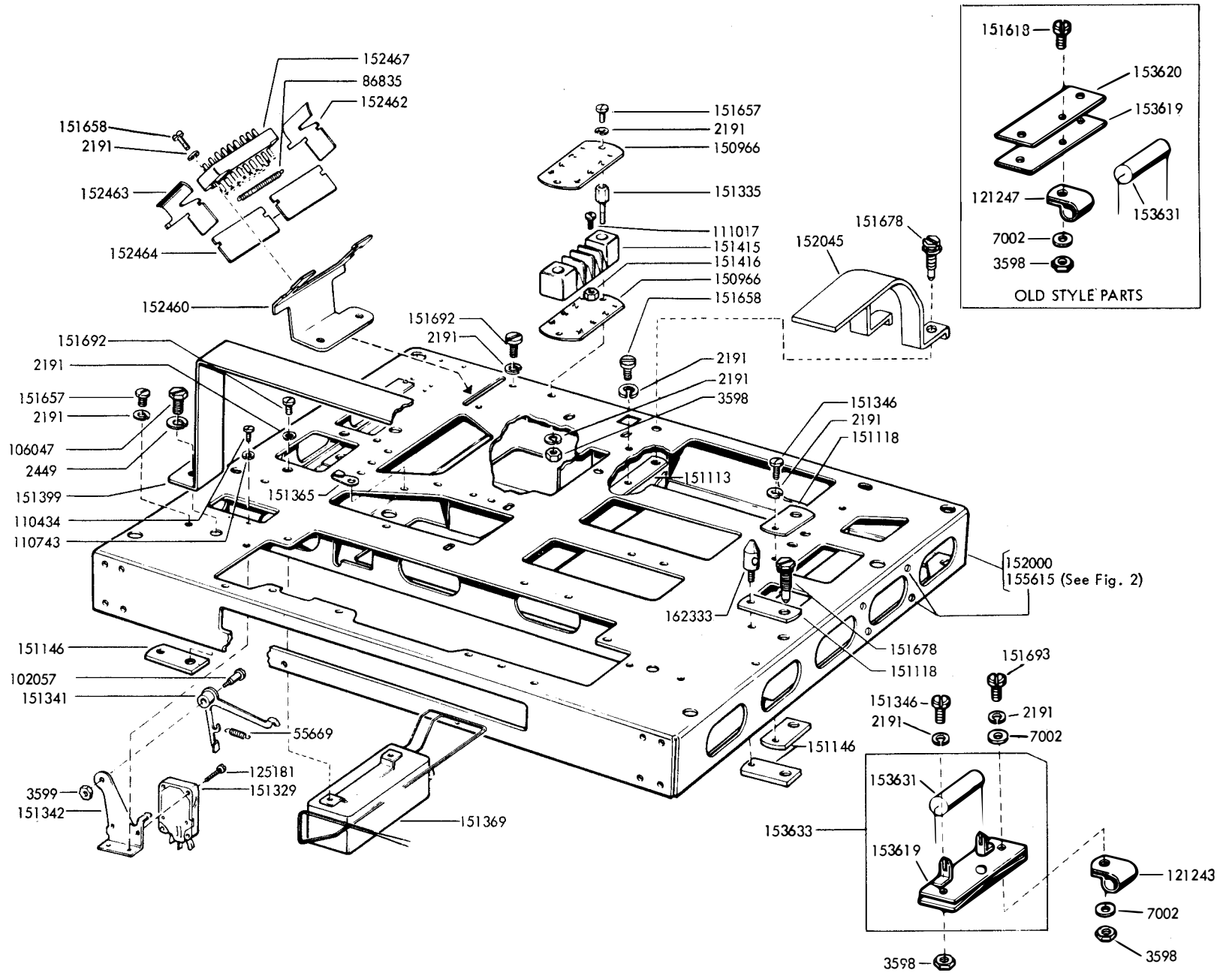


FIGURE 1. KEYBOARD OR BASE MECHANISM (MARK II)



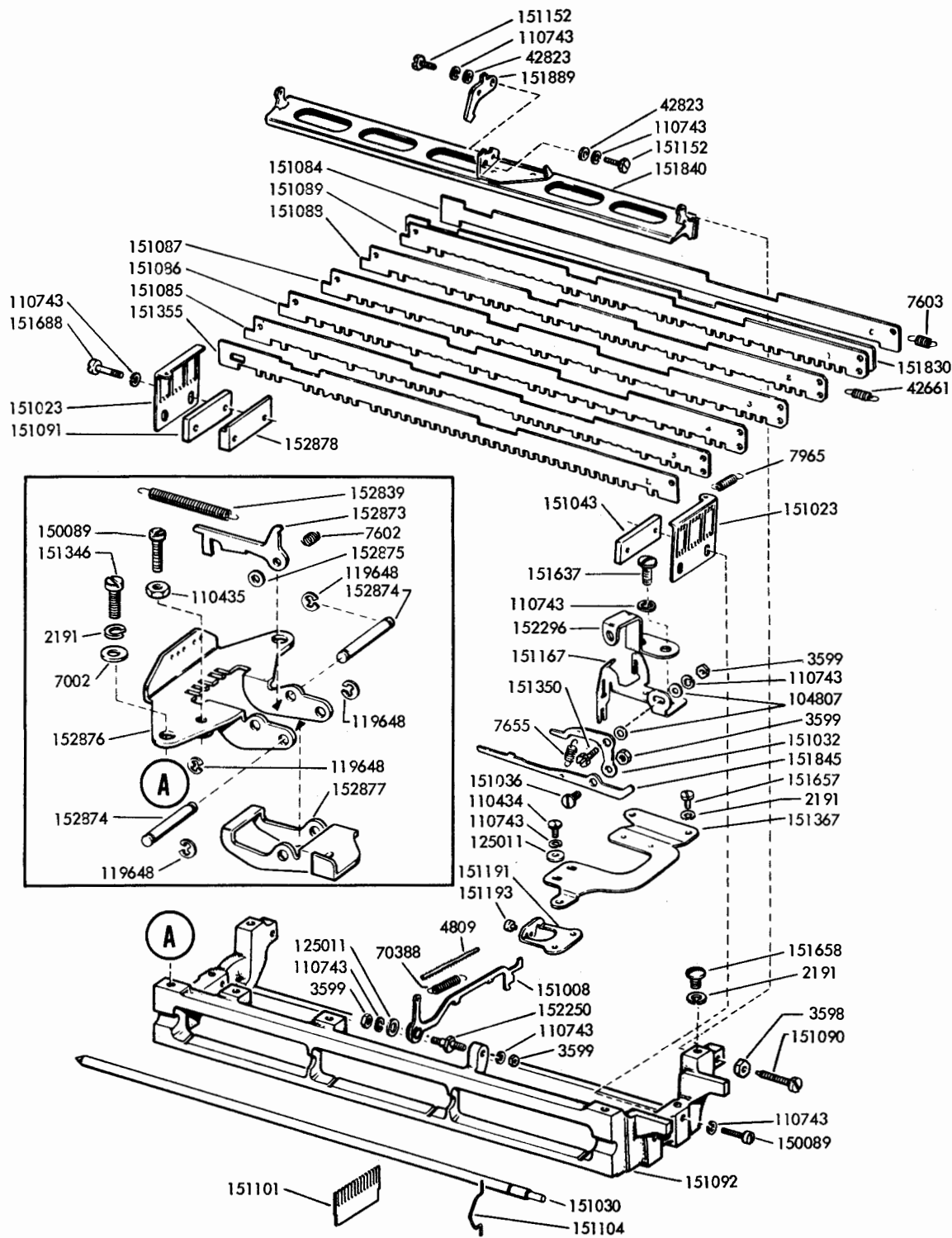
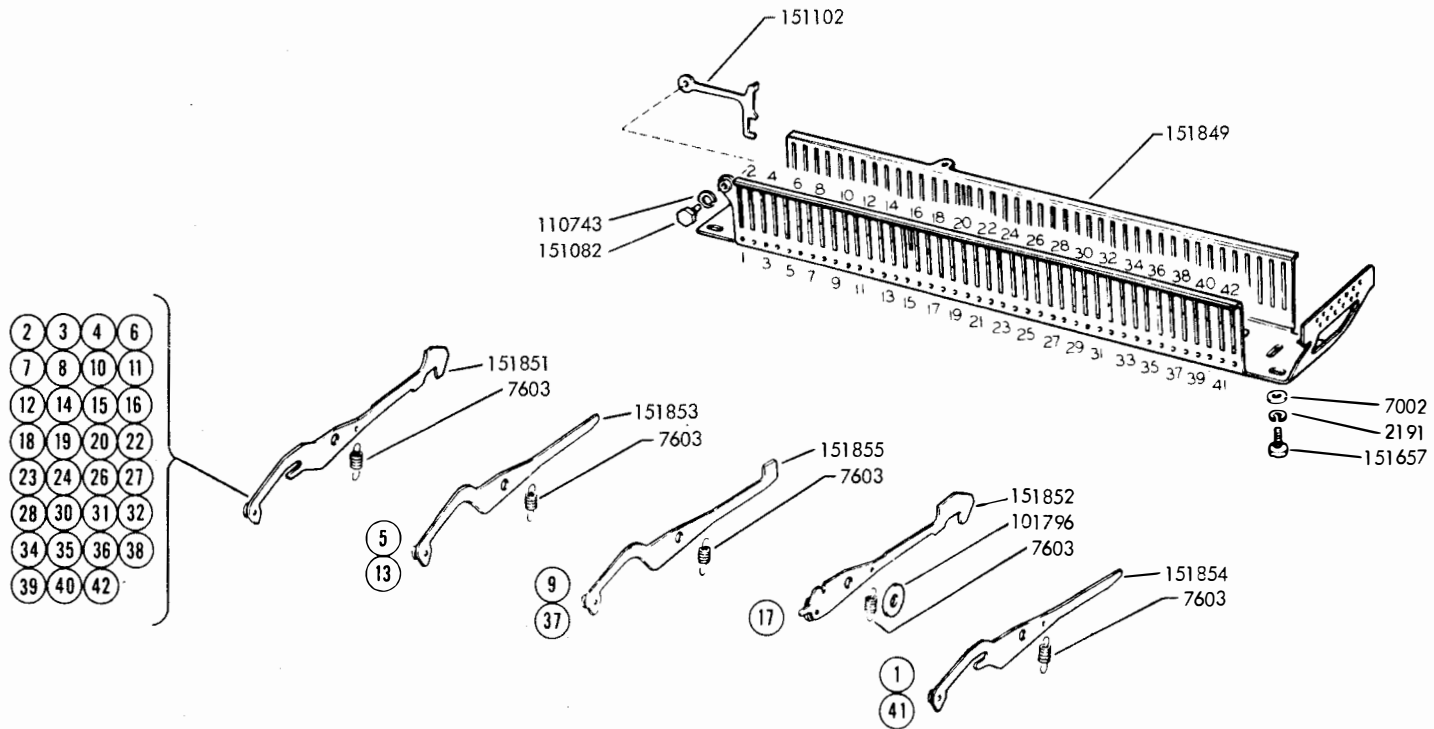


FIGURE 3. CODE BAR MECHANISM (MARK II)

FIGURE 4. FUNCTION AND CODE LEVERS (MARK II)



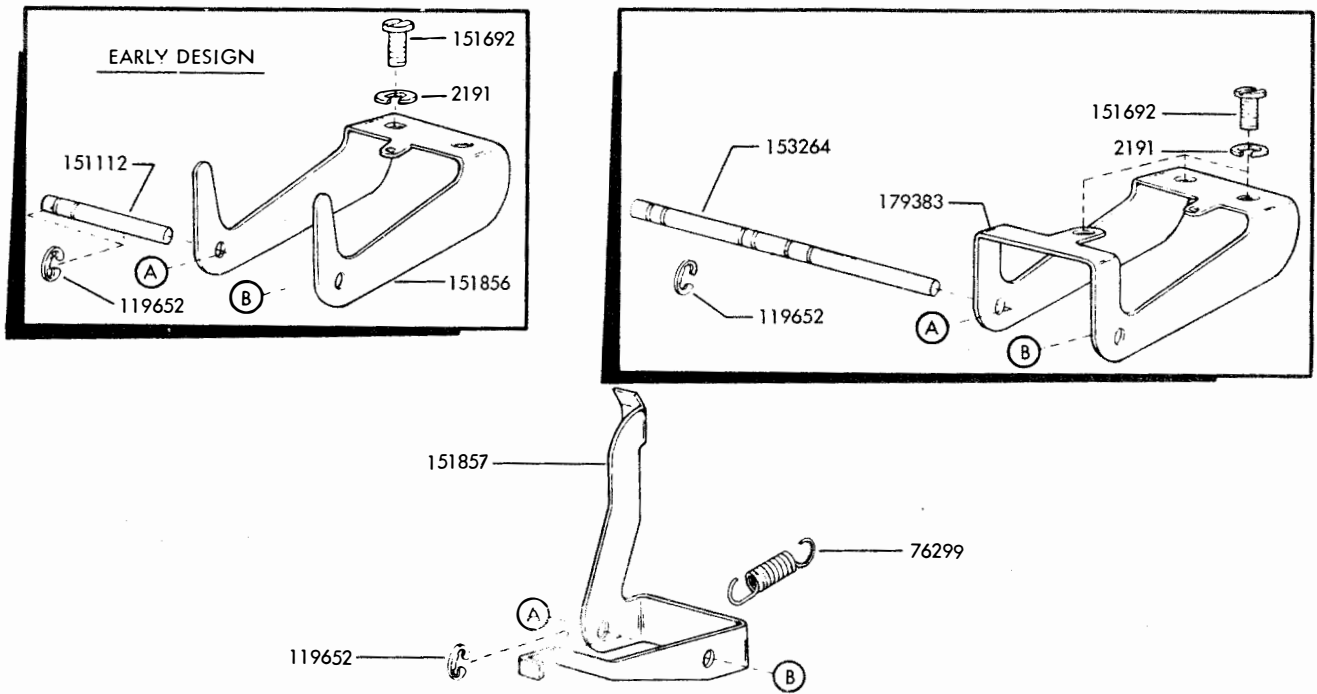


FIGURE 7. CARRIAGE RETURN MECHANISM (MARK II)

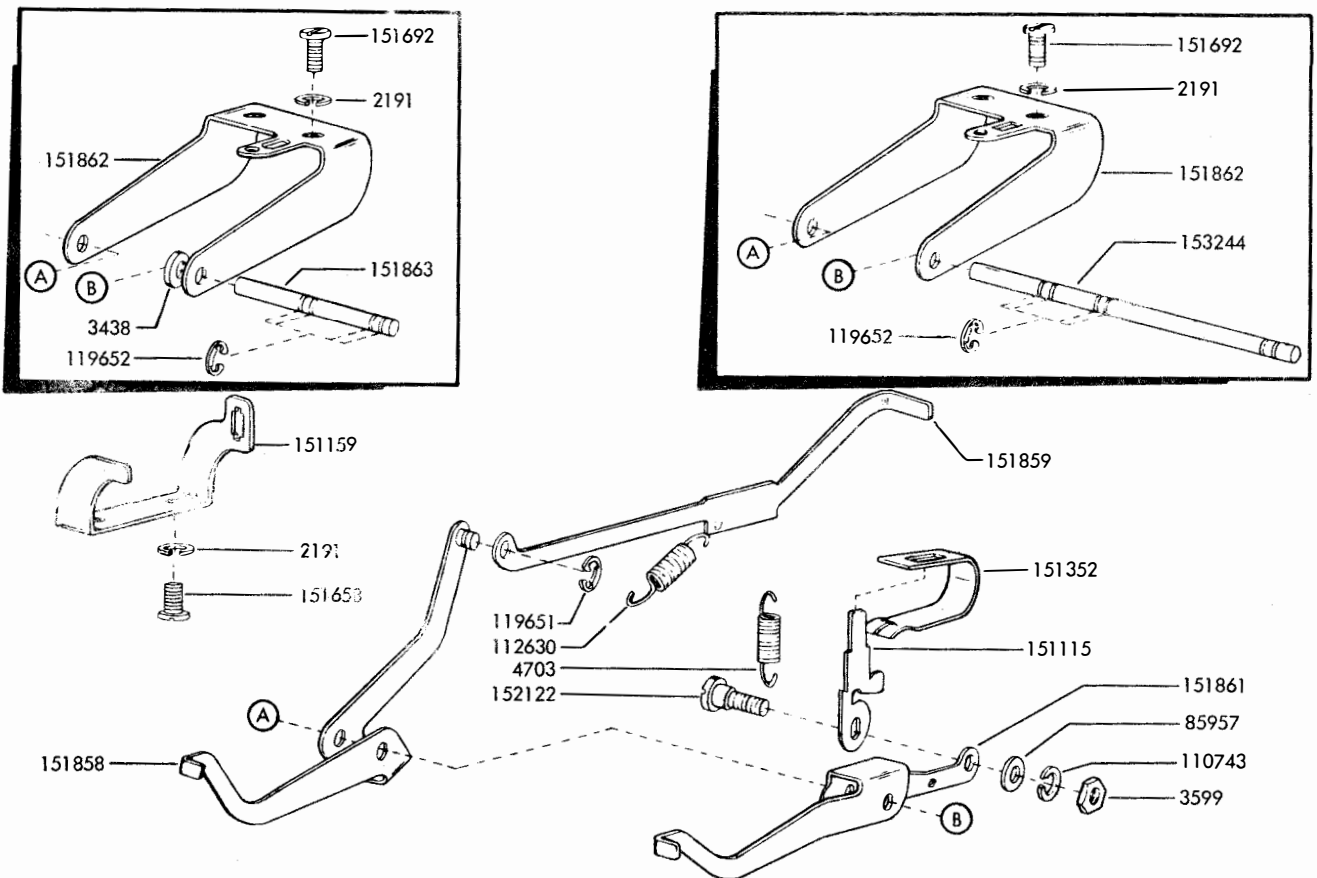
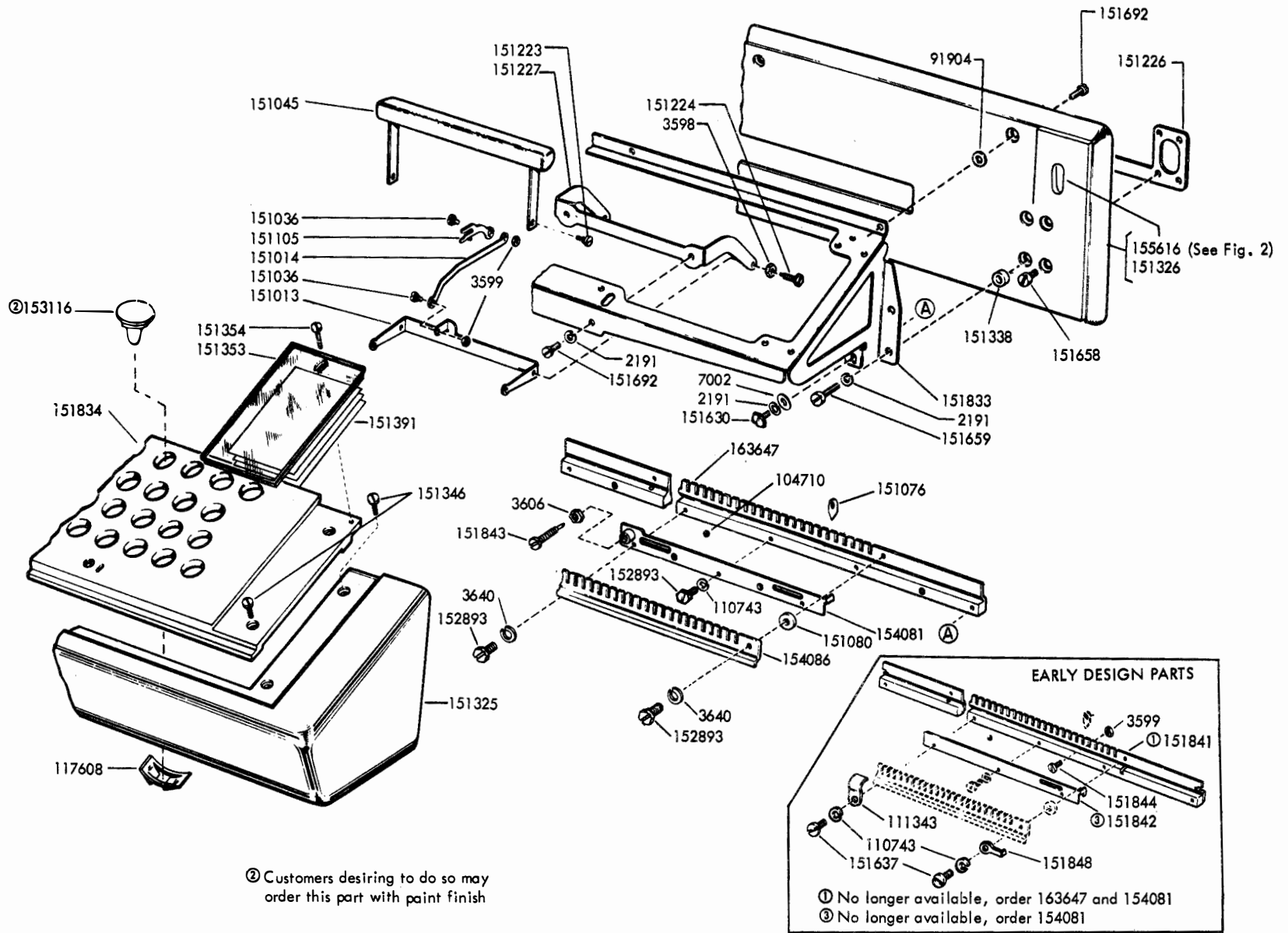


FIGURE 8. KEYBOARD LOCK AND LOCAL LINE FEED MECHANISM (MARK II)

FIGURE 9. KEYBOARD MECHANISM (MARK II)



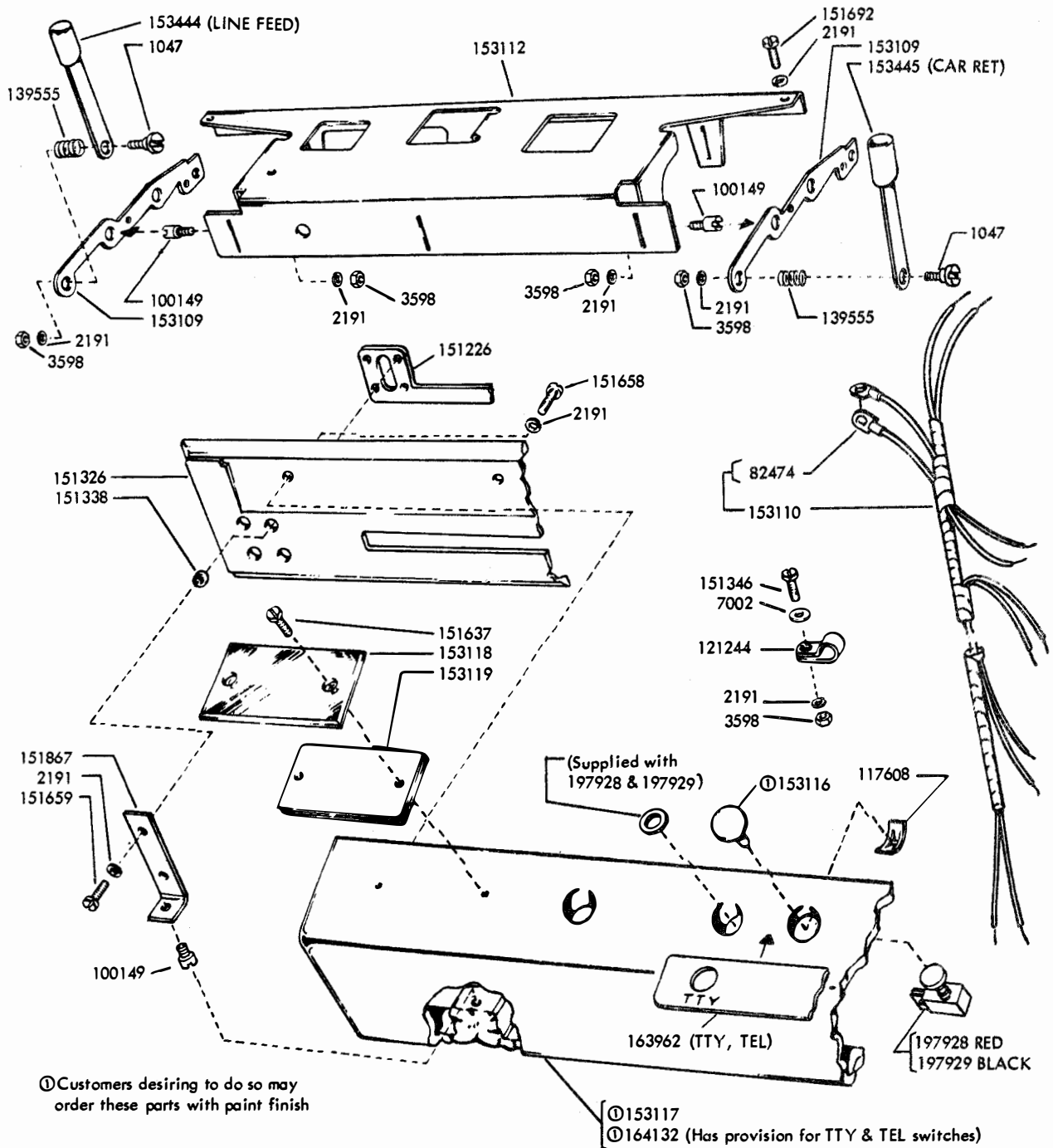
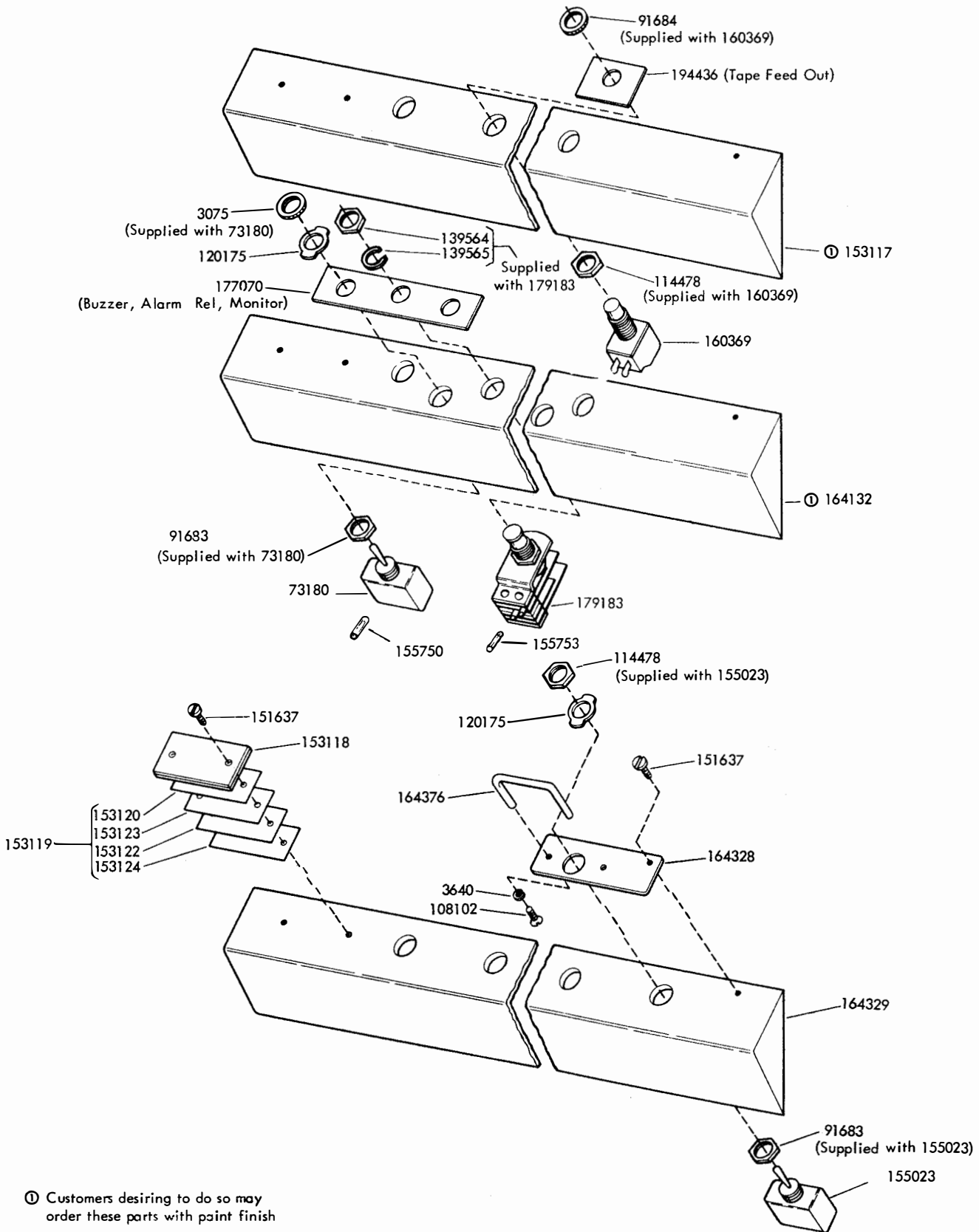
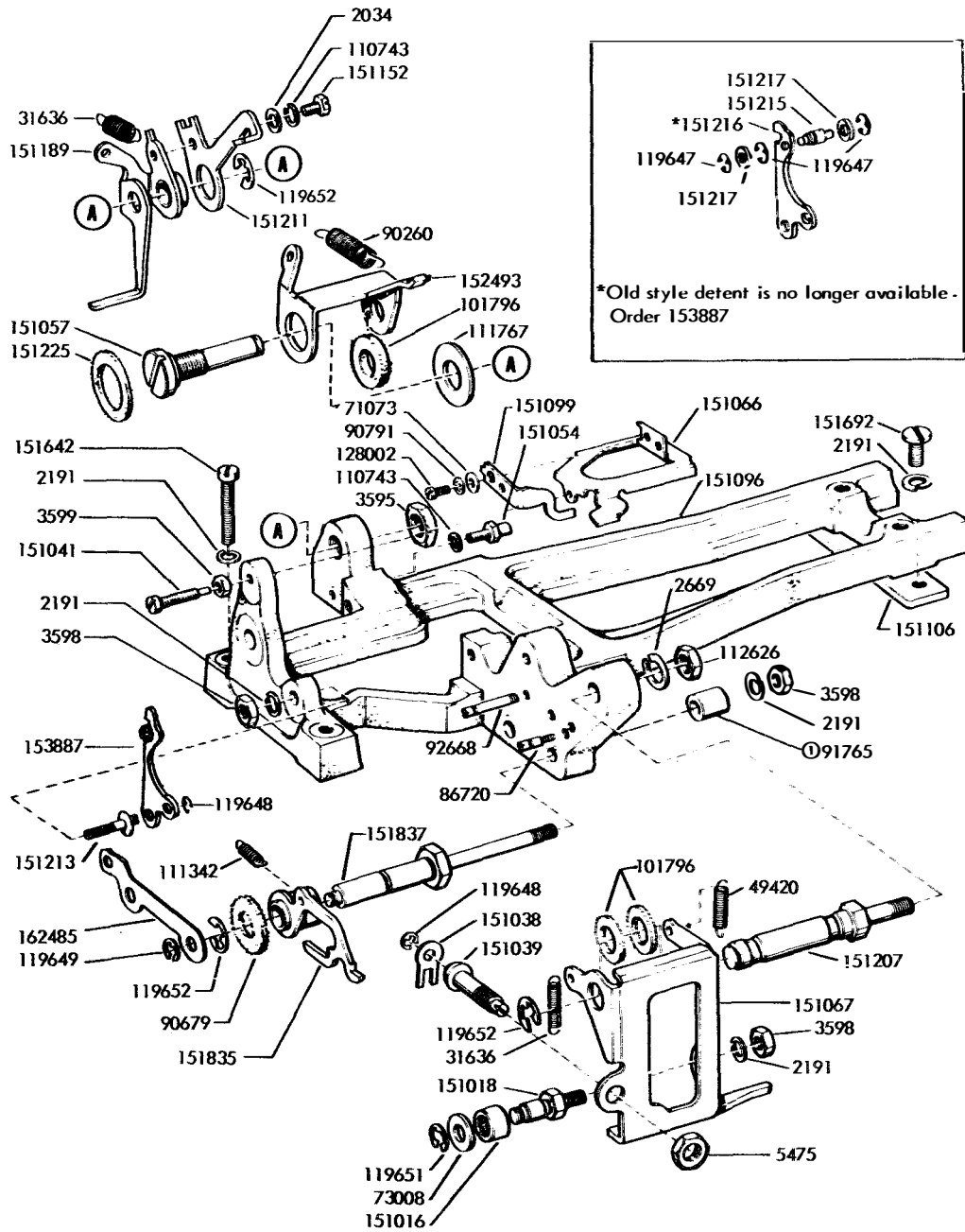


FIGURE 10. BASE MECHANISM (MARK II)



① Customers desiring to do so may order these parts with paint finish

FIGURE 11. RECEIVING-ONLY BASE COVERS (MARK II)



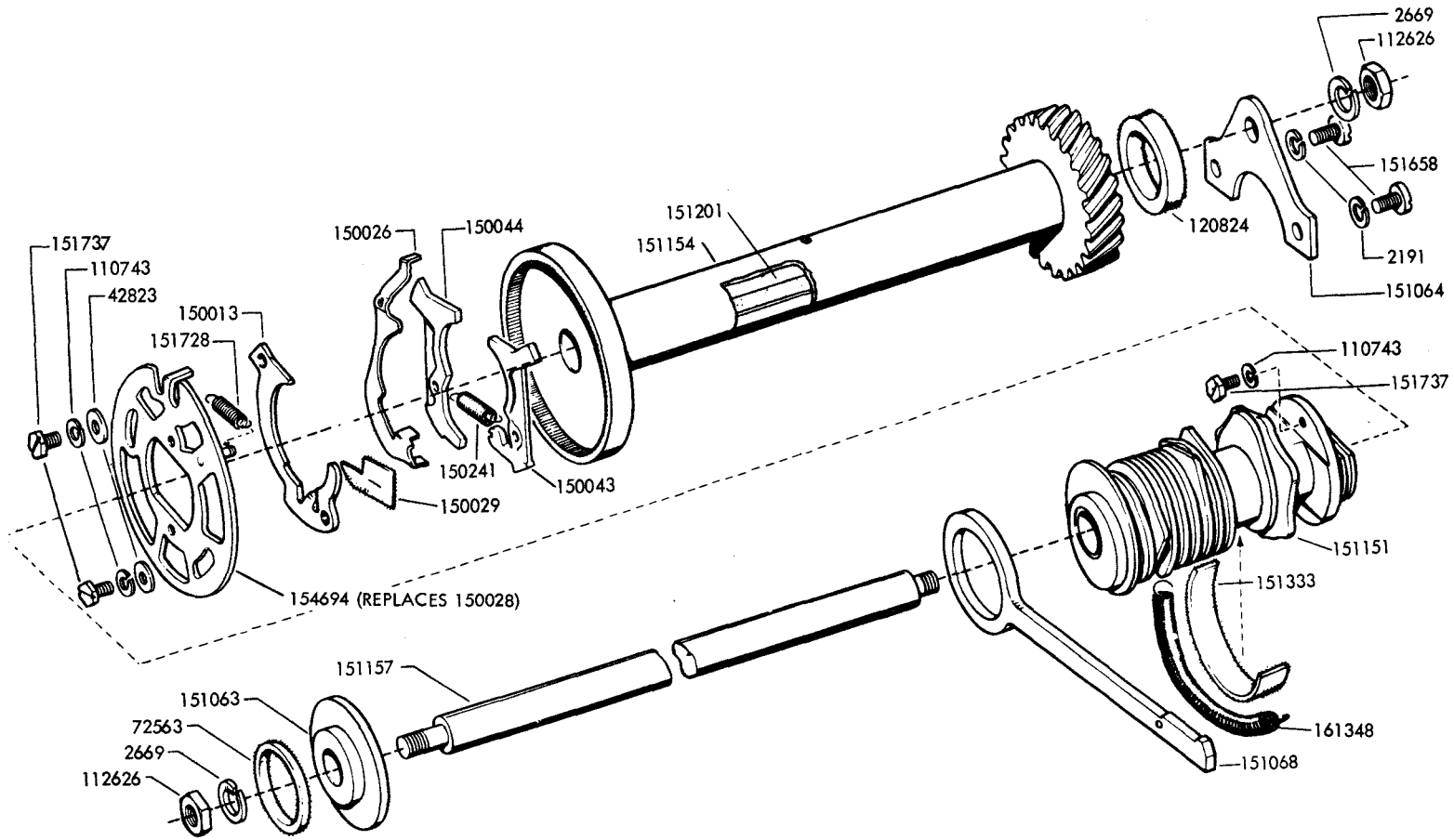
ⓐ TO BE DISCARDED WHEN 151887 REPEAT ON SPACE MODIFICATION KIT IS INSTALLED. SEE FIGURE 19.

FIGURE 14. SIGNAL GENERATOR MECHANISM (MARK II)

153



FIGURE 15. SIGNAL GENERATOR MECHANISM (MARK II)



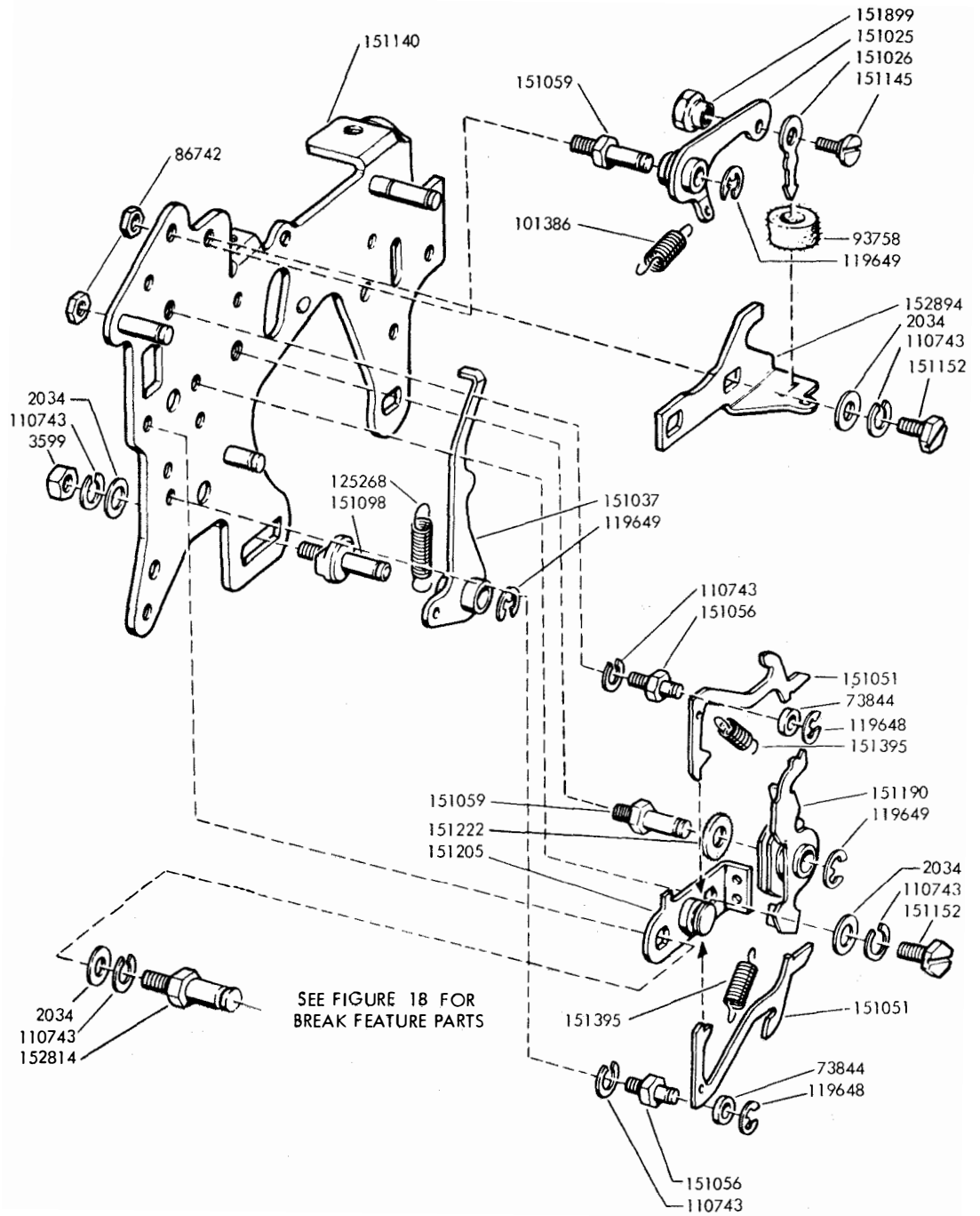


FIGURE 16. SIGNAL GENERATOR MECHANISM (MARK II)

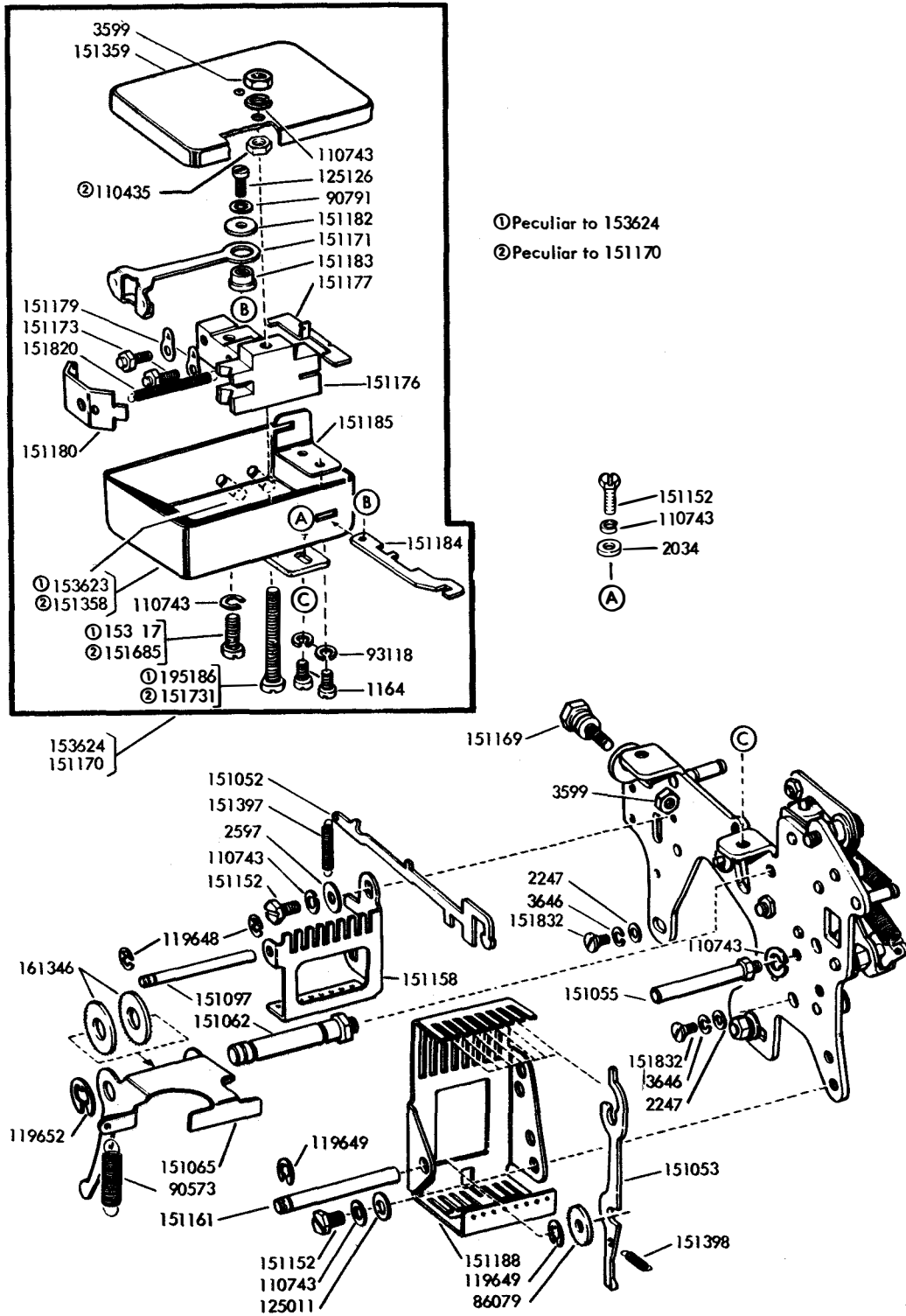


FIGURE 17. SIGNAL GENERATOR MECHANISM (MARK II)