

- NOTES:**
- INDICATES DIRECTION OF SIGNAL FLOW ONLY. CURRENT MAY FLOW EITHERWAY.
 - THESE WIRES SHALL BE CONNECTED ONLY IF URA-38 IS USED WITH THE SYSTEM.
 - 8A2AITB2 AND 8AICB1 ARE SHOWN WIRED FOR 460VAC PRIMARY POWER FOR 220VAC PRIMARY POWER WIRE 8A2AITB2 AND 8AICB1 AS SHOWN BELOW. PREFIX ALL INCOMPLETED REFERENCE DESIGNATORS WITH 8W10.
 - FOR DETAIL CONNECTIONS AND USE FOR REMOTE CONTROL UNIT SEE FIGURE 2-1, C-7709/FRT NAVSHIPS 0967-292-9040, AND FIGURE 5-25, KY 656/FRT NAVSHIPS 0967-292-9051.
 - A NUMERAL WITHIN PARENTHESIS () AFTER A WIRE IDENTIFICATION NUMBER DENOTES THE UNIT IN WHICH THE WIRE COMES FROM OR GOES TO.

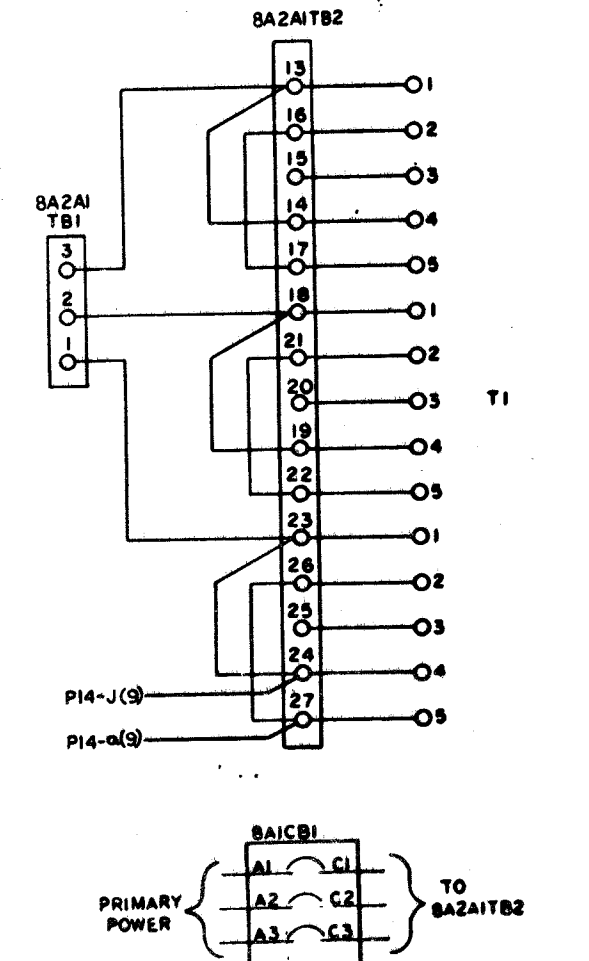


Figure 5-43. AN/FRT-83(V) Local Equipment Cabinet and Unit Interconnection Wiring. Schematic Diagram (Sheet 2 of 2)