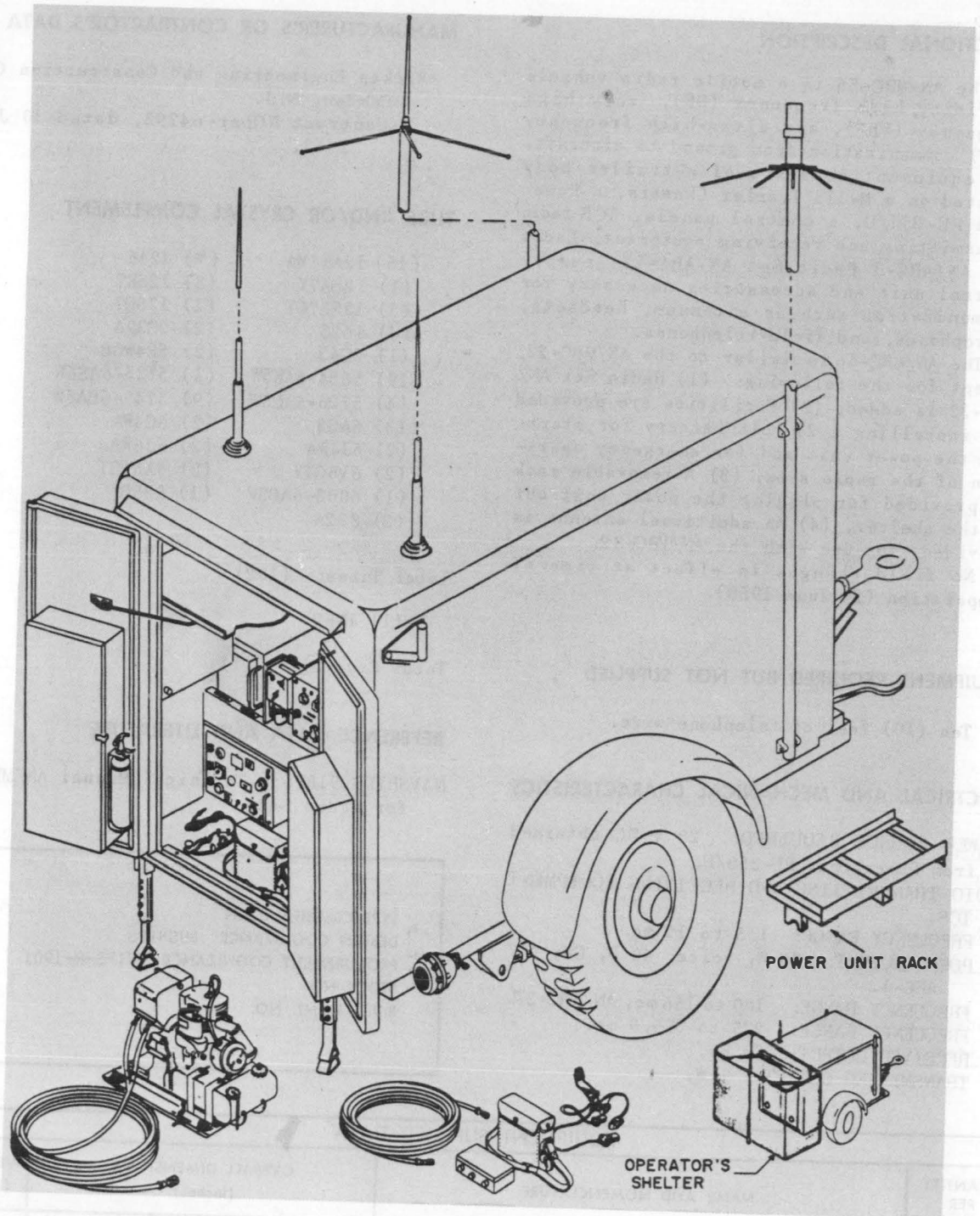


RADIO SET



Radio Set AN/MRC-56

AN/MRC-56**RADIO SET****FUNCTIONAL DESCRIPTION**

The AN/MRC-56 is a mobile radio vehicle providing high frequency (HF), very high frequency (VHF), and ultra-high frequency (UHF) communication from ground to aircraft. The equipment consists of a trailer body mounted on a M-115 Trailer Chassis, a Power Unit PU-250/U, a control panels, TCS radio transmitting and receiving equipment, Radio Set AN/ARC-1 Radio Set AN/ARC-27, remote control unit and accessories necessary for communication such as antennas, headsets, microphones, and field-telephones.

The AN/MRC-56 is similar to the AN/MRC-22, except for the following: (1) Radio Set AN/VRC-32 is added, (2) Facilities are provided for installing a 24 volt battery for starting the power unit and for emergency operation of the radio sets, (3) A removable rack is provided for sliding the power unit out of the shelter, (4) An additional antenna is provided, for use with the AN/VRC-32.

No field changes in effect at time of preparation (24 June 1958).

EQUIPMENT REQUIRED BUT NOT SUPPLIED

Ten (10) feet of telephone wire.

ELECTRICAL AND MECHANICAL CHARACTERISTICS

POWER SOURCE REQUIRED: 28 v DC obtained from Power Unit PU-250/U.

RADIO TRANSMITTING AND RECEIVING EQUIPMENT TCS.

FREQUENCY RANGE: 1.5 to 12 mc.

POWER OUTPUT: 20 W, voice, 40 W, CW, AN/ARC-1.

FREQUENCY RANGE: 100 to 156mc, AN/ARC-27.

FREQUENCY RANGE: 225 to 399.9 mc.

RECEIVER OUTPUT: 50 mw.

TRANSMITTER OUTPUT: 9 W.

MANUFACTURER'S OR CONTRACTOR'S DATA

Wickes Engineering and Construction Co.,
Camden, N.J.

Contract NObsr-64793, dated 10 June 1955.

TUBE AND/OR CRYSTAL COMPLEMENT

(15) 12AT7WA	(7) 12A6
(1) 12SA7Y	(3) 12SK7
(1) 12SL7GT	(1) 12SQ7
(4) 1625	(2) 2C39A
(1) 2C43	(2) 5R4WGB
(19) 5654-6AK5W	(1) 5725-6AS6W
(4) 5726-6AL5W	(9) 5749-6BA6W
(13) 6AG5	(2) 6C4WA
(7) 6J4WA	(2) 6J6WA
(2) 6V6GTY	(2) 6X5WGT
(1) 6005-6AQ5W	(1) 829B
(2) 832A	

Total Tubes: (102)

(1) 1N69

Total Crystals: (1)

REFERENCE DATA AND LITERATURE

NAVSHIPS 91876: Technical Manual AN/MRC-56 for Radio Set.

TYPE CLASSIFICATION
DESIGN COGNIZANCE BUSHIPS
PROCUREMENT COGNIZANCE SHIPS-R-1901
STOCK NO.
R.D.B. IDENT. NO.

EQUIPMENT SUPPLIED DATA

QUANTITY PER EQUIPT	NAME AND NOMENCLATURE	OVERALL DIMENSIONS (inches)	WEIGHT (lbs.)
1	Radio Set AN/MRC-56 including:		
	(1) Trailer Body	58-1/4 x 83 x 110-1/4	975.00
	(1) Trailer Chassis M-115	47 x 58-1/4 x 76-1/4	250.00
	(1) Power Unit PU-250/U	30-1/2 x 38-1/4 x 106	280.00
		18-1/4 x 21-1/4 x 27	126.00

April 1958

RADIO SET

AN/MRC-56

EQUIPMENT SUPPLIED DATA

QUANTITY PER EQUIPT	NAME AND NOMENCLATURE	OVERALL DIMENSIONS (inches)	WEIGHT (lbs.)
(1)	Radio Transmitter (TCS) NT-52245-A	11 X 11-13/16 X 13-3/4	48.00
(1)	Radio Receiver (TCS) NT-46159-A	11-1/16 X 11-7/8 X 13-13/16	38.13
(1)	Dynamotor Power Unit (TCS) NT-211330-B	8-25/32 X 9-5/8 X 12-15/16	35.00
(1)	Remote control (TCS) (modified) NT-23270-A	4-3/8 X 6-15/16 X 7-3/8	6.13
(1)	Radio Transmitter-Receiver RT-18/ARC-1	9-1/32 X 10-19/32 X 24-3/16	47.00
(1)	Mounting (modified) MT-230/ARC	5 X 10-15/16 X 24-3/16	4.25
(1)	Mast Base AB-15/GR		
(3)	Mast Section MS-116		
(1)	Mast Section MS-117		
(1)	Mast Section MS-118		
(1)	Antenna NT-66150A		
(1)	Antenna AS-390/SRC		
(1)	Control Unit C-45/ARC-1	2-5/8 X 3-3/8 X 6-1/8	1.00
(1)	Receiver-Transmitter RT-178/ARC-27	11-1/4 X 12-3/8 X 27-7/8	72.20
(1)	Mounting (modified) MT-822/ARC-27	2-1/2 X 11-11/16 X 19-3/4	3.50
(1)	Radio Set Control C-626/ARC-27	5-1/2 X 6-3/8 X 9-9/16	9.75
(1)	Control Panel		
(1)	Radio Set Control		
(2)	Telephone EE-8	3-1/2 X 7-11/16 X 9-9/16	19.50
(2)	Headset-Microphones H-63/U		
(2)	Chest Set Group AN/GSA-6		
(1)	Telegraph Key 26026		
(1)	Leg Band Telegraph Key NT-10531		
(1)	Technical Manual NAVSHIPS-900,705	3/8 X 8-3/4 X 11-1/4	1.50
(1)	Technical Manual AN08-30ARC1-2	1/4 X 8-3/4 X 11-1/4	1.25
(1)	Technical Manual AN16-30ARC-27-2	3/8 X 8-3/4 X 11-1/4	1.50
(1)	Technical Manual NAVSHIPS-91731	1/4 X 8-3/4 X 11-1/4	1.25
(2)	Technical Manual NAVSHIPS	3/4 X 8-3/4 X 11-1/4	3.00
(1)	Technical Manual NAVSHIPS 91338	1/4 X 8-3/4 X 11-1/4	
(1)	Radio Set AN/VRC-32		