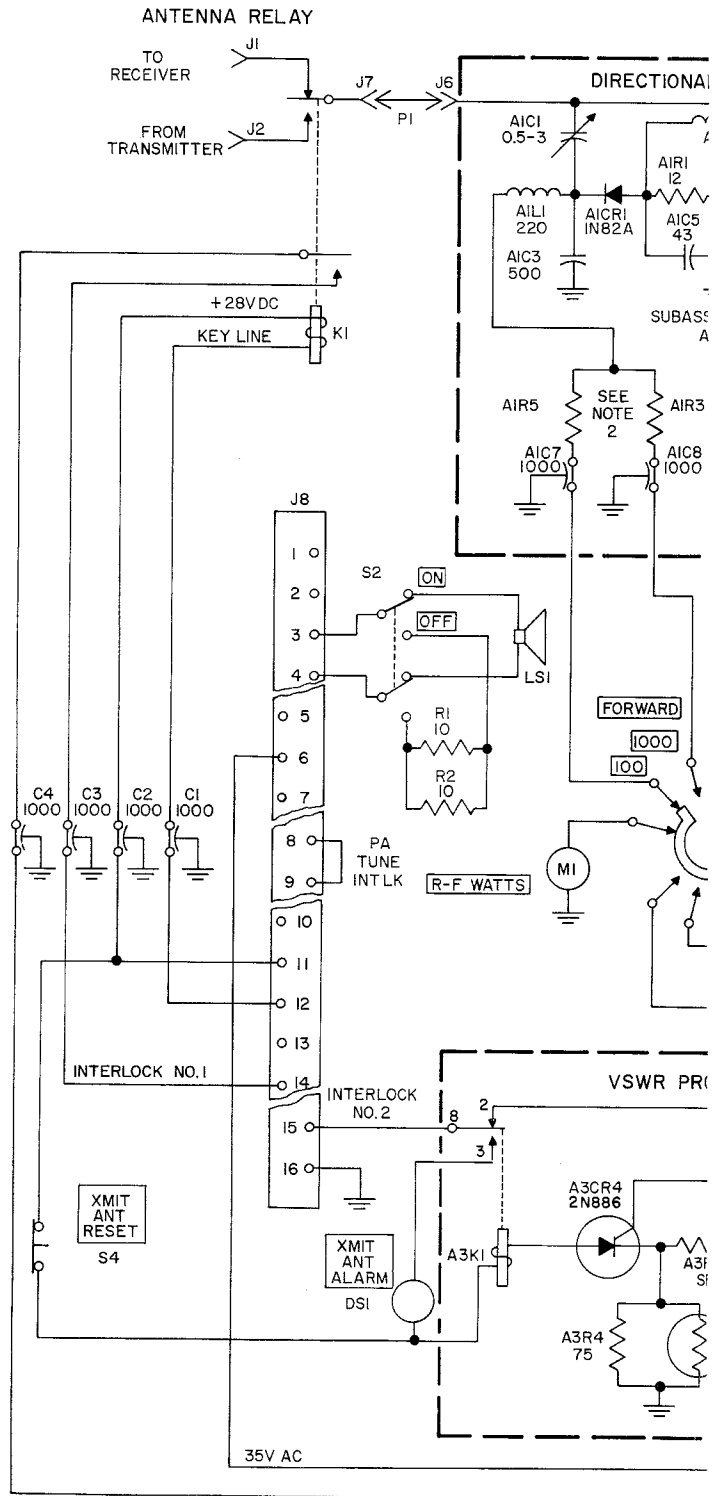


- NOTES:
1. UNLESS OTHERWISE INDICATED, ALL CAPACITANCES ARE IN UUF, ALL RESISTANCES ARE IN OHMS, AND ALL INDUCTANCES ARE UH.
  2. FINAL VALUES OF AIR3, AIR4, AIR5, AIR6, A3R2 AND A3R3 ARE SELECTED DURING PRODUCTION TEST.

Figure 5-128. Coupler Monitor CU-737/URC,  
Schematic Diagram



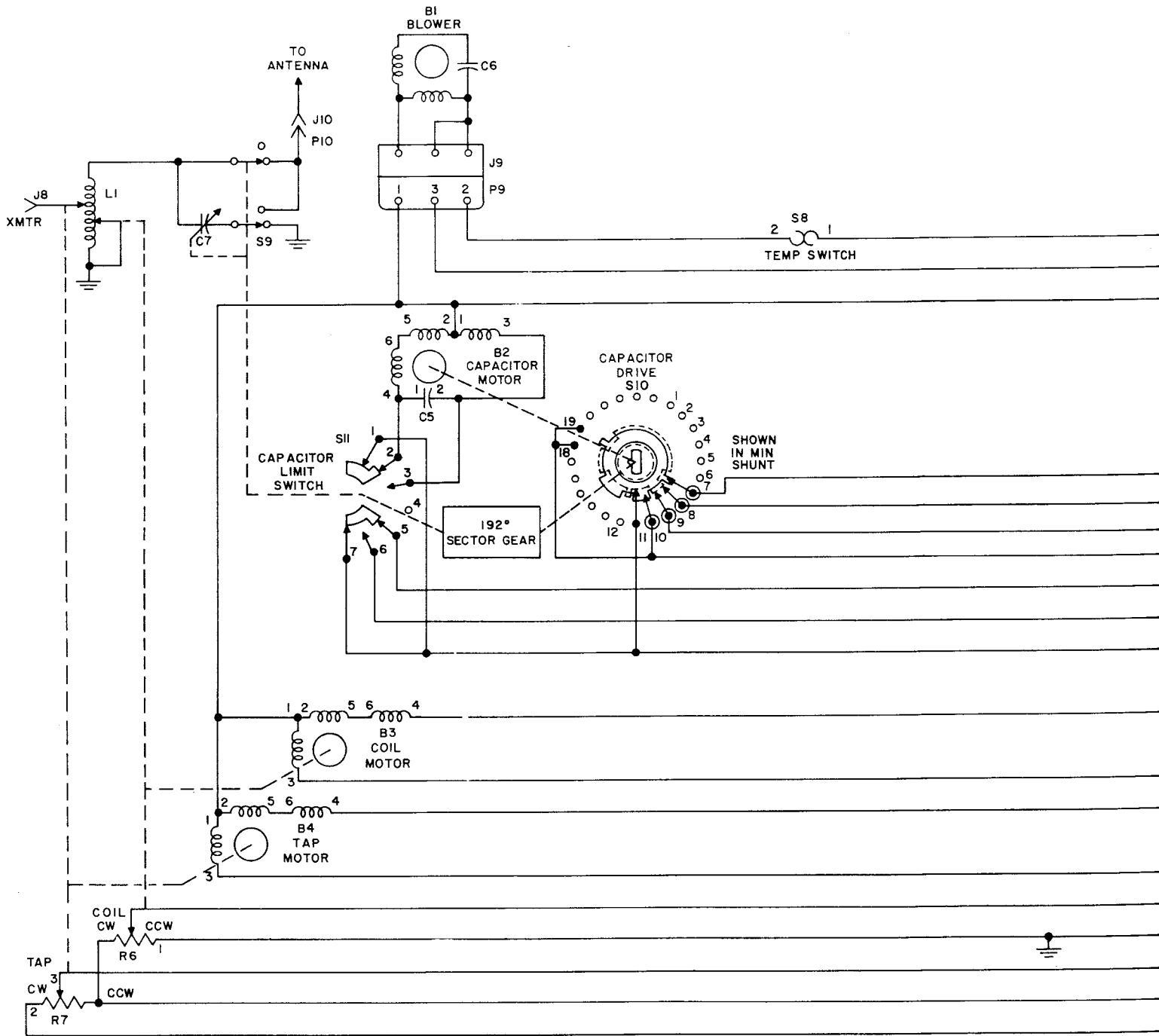


Figure 5-129. Antenna Coupler Group AN/SRA-22,  
Schematic Diagram

